

# PRODUCT CATALOG

Volume 23

STEGMEIER  
LLC

[www.stegmeier.com](http://www.stegmeier.com)

ARLINGTON, TX • HENDERSON, NV • APOPKA, FL • ATLANTA, GA

**DOWNLOAD THE STEGMEIER LLC APP**



# TABLE OF CONTENTS

## GUNITE/ FIBERGLASS CANTILEVER FORMS

Regular	1
6" Regular	1
Capstone	1
6" Capstone	1
Deep Regular	2
Intermediate	2
Sandstone Form	2
OG Form	2
Commercial Form	3
Square Edge Form	3
Stamp-A-Form	3
Stamp-A-Form with Nail-On Ledger	3
Classic Roman	6
Texturit Form and Liner	6
Child Safety Grip Form	4
Child Safety Grip Tools	4
Plumb Strip	5
Tear Away Plumb Strip	5
Pool Cover Form	14
Pool Cover Form II	14
Pool Cover Form E	15
Preformed Corners	13

## VINYL LINER CANTILEVER FORMS

Clip-Loc — (Regular, Capstone and Intermediate with Liner Track)	10
Liner Pool Cover Form	15
Liner Track	10
Dual Aluminum Liner Track	11
Aluminum Liner Track	11
Cantilever Step Kit	13

## FORMING & FINISHING ITEMS

Encapsulated Form Adapter	9
1" and 1 3/4" Extender Strip	9
Filler Strip	12
No Gum Tape	12
Step Ledger	9
Foam Profile Edging Tools	17
Stainless Steel Trowels	17
Tile Ledger Board	7
Slip-N-Join Lumber	21
Dash Brush	45
Chamfer Clips	18
Wall Cap Forms	18
Countertop Forms	19
Step Liners	20

## JOINTS

Frontier Poli-Void	22
Joint Sealant	22
Frontier Deck Joint	23
Rigid Deck Joint	23
Rigid Hold	23
Frontier Nose Caps	23

## DRAINS

Deck Drain	27
Deck Drain Fittings	28
Channel Drain	25
Channel Drain Fittings	26
Super Drain	29
Super Drain Fittings	30
Frontier Deck Drain	31
Treadmaster Commercial	31
Frontier Deck Drain / Treadmaster Commercial Fittings	32
Flowmaster Commercial Deck Drain	33
Flowmaster A/T Drain	33
Flowmaster Commercial Deck Drain / Flowmaster A/T Drain Fittings	34
Flowmaster 3 Commercial Deck Drain	35
Flowmaster 3 A/T Drain	35
Flowmaster 3 Commercial Deck Drain / Flowmaster 3 A/T Drain Fittings	36
Adjustable Height Paver Drain	39
Paver Drain A/T	39
Mini Paver Drain	41
Mini Paver Drain Fittings	41
Paver Drain Pro	42
Paver Drain Pro Fittings	42
Flush Mount Paver Drain	39
Adjustable Height Paver Drain / Paver Drain A/T / Flush Mount Paver Drain Fittings	40
Drain Dowels	37

## RENOVATION PRODUCTS

Drain Extender Kit	38
Re-Cover Drain	38
Re-Cover Drain II	37
Re-Cover Super Drain	37
Re-Cover Channel Drain	37
Renovation Forms	16
Resin Rock, Deep Resin Rock	16
Renovation Tile Strip	7
Re-Cover Strip	24
Re-Cover Strip II	24
Deck Renew	44
Touch-Up Kit	44

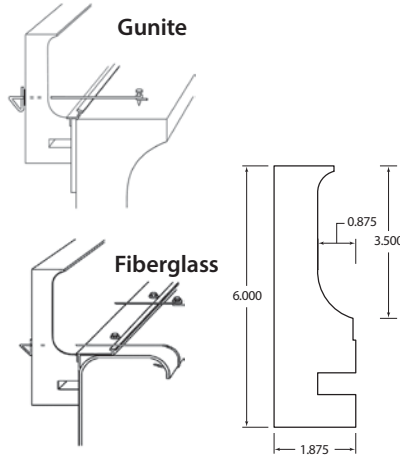
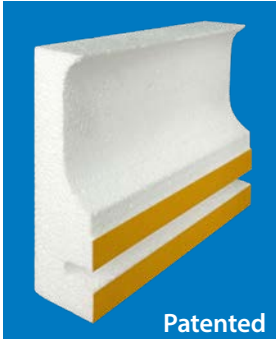
## ADDITIONAL ITEMS

Frontier Desert Deck	43
Frontier Bonding Agent	43
Frontier Desert Seal	43
S-Clip	12
Tie Wire Side Kit	8
Plumb Strip Side Kit	8
Tile Strip	6
Tile Strip Flex	7
Frontier Desert Deck Walking Trowel	45
Dual Walking Edger	45
Quick Reference	46-48
Cantilever Profile Examples	49

**NOTE:** Stegmeier LLC does not recommend the installation of cantilever forms with double-faced tape directly to any installed liner. The recommended method is to apply **No Gum Tape** to the liner and then install the cantilever forms to the correct elevation, sticking the double-faced tape to the No Gum Tape.

# REGULAR

Poured in Place "Cantilever Forms" (Gunite/Fiberglass)



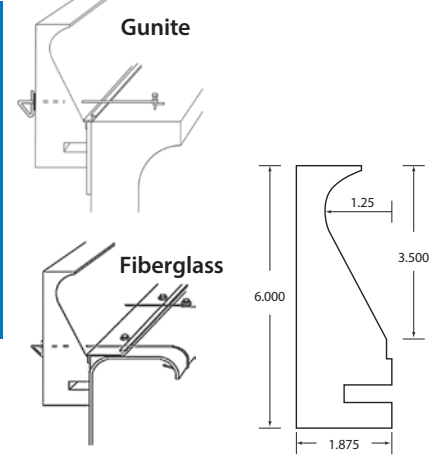
TIE WIRE KIT Includes:  
100 ea. Tie Wires  
100 ea. Washers  
100 ea. Concrete Nails  
1 roll Bending Tape

PACKAGED 112' PER CARTON

DESCRIPTION	PART #
Regular Form Only	1CF000
Regular Form - No Tie Wire - White Tile Strip	1CF011
Regular Form - Tie Wire - No Tile Strip	1CF111
Regular Form - Tie Wire - White Tile Strip	1CF112
Regular Form - Tie Wire - Grey Tile Strip	1CF122
Regular Form - Tie Wire - Tan Tile Strip	1CF132
Regular Form - Tie Wire - Black Tile Strip	1CF162
Regular Tie Wire w/ Plumb Strip - White (Fiberglass)	1CF912
Regular Tie Wire w/ Plumb Strip - Grey (Fiberglass)	1CF922
Regular Tie Wire w/ Plumb Strip Flex - White (Fiberglass)	1CF912-FLEX
Regular Tie Wire w/ Plumb Strip Flex - Grey (Fiberglass)	1CF922-FLEX

# CAPSTONE

Poured in Place "Cantilever Forms" (Gunite/Fiberglass)



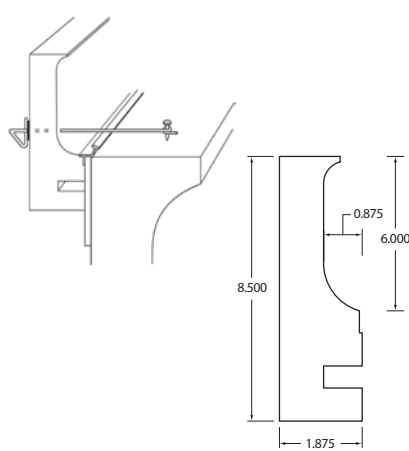
TIE WIRE KIT Includes:  
100 ea. Tie Wires  
100 ea. Washers  
100 ea. Concrete Nails  
1 roll Bending Tape

PACKAGED 112' PER CARTON

DESCRIPTION	PART #
Capstone Form Only	9CF000
Capstone Form - No Tie Wire - White Tile Strip	9CF011
Capstone Form - Tie Wire - No Tile Strip	9CF111
Capstone Form - Tie Wire - White Tile Strip	9CF112
Capstone Form - Tie Wire - Grey Tile Strip	9CF122
Capstone Form - Tie Wire - Tan Tile Strip	9CF132
Capstone Form - Tie Wire - Black Tile Strip	9CF162
Capstone Tie Wire w/ Plumb Strip - White (Fiberglass)	9CF912
Capstone Tie Wire w/ Plumb Strip - Grey (Fiberglass)	9CF922
Capstone Tie Wire w/ Plumb Strip Flex - White (Fiberglass)	9CF912-FLEX
Capstone Tie Wire w/ Plumb Strip Flex - Grey (Fiberglass)	9CF922-FLEX

# 6" REGULAR

Poured in Place "Cantilever Forms" (Gunite/Fiberglass)



TIE WIRE KIT Includes:  
100 ea. Tie Wires  
100 ea. Washers  
100 ea. Concrete Nails  
1 roll Bending Tape

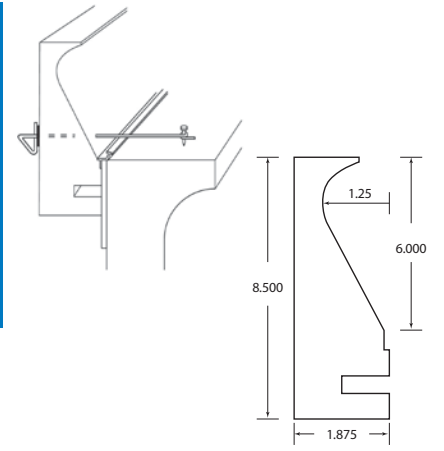
PACKAGED 80' PER CARTON

DESCRIPTION	PART #
6" Regular Form Only	61CF000
6" Regular Form - No Tie Wire - White Tile Strip	61CF011
6" Regular Form - Tie Wire - No Tile Strip	* 61CF111
6" Regular Form - Tie Wire - White Tile Strip	* 61CF112
6" Regular Form - Tie Wire - Grey Tile Strip	* 61CF122
6" Regular Form - Tie Wire - Tan Tile Strip	* 61CF132
6" Regular Form - Tie Wire - Black Tile Strip	* 61CF162

\* Includes 2 Tie Wire Side Kits

# 6" CAPSTONE

Poured in Place "Cantilever Forms" (Gunite/Fiberglass)



TIE WIRE KIT Includes:  
100 ea. Tie Wires  
100 ea. Washers  
100 ea. Concrete Nails  
1 roll Bending Tape

PACKAGED 80' PER CARTON

DESCRIPTION	PART #
6" Capstone Form Only	69CF000
6" Capstone Form - No Tie Wire - White Tile Strip	69CF011
6" Capstone Form - Tie Wire - No Tile Strip	* 69CF111
6" Capstone Form - Tie Wire - White Tile Strip	* 69CF112
6" Capstone Form - Tie Wire - Grey Tile Strip	* 69CF122
6" Capstone Form - Tie Wire - Tan Tile Strip	* 69CF132
6" Capstone Form - Tie Wire - Black Tile Strip	* 69CF162

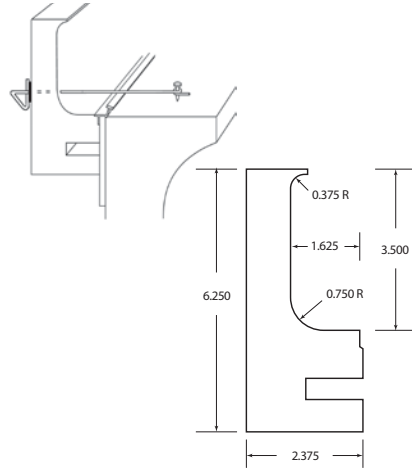
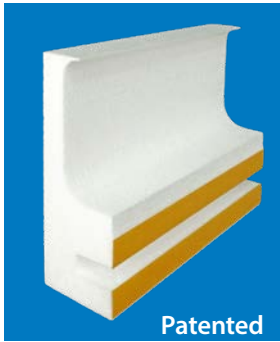
\* Includes 2 Tie Wire Side Kits

Check local building codes before using this product.

Check local building codes before using this product.

# DEEP REGULAR

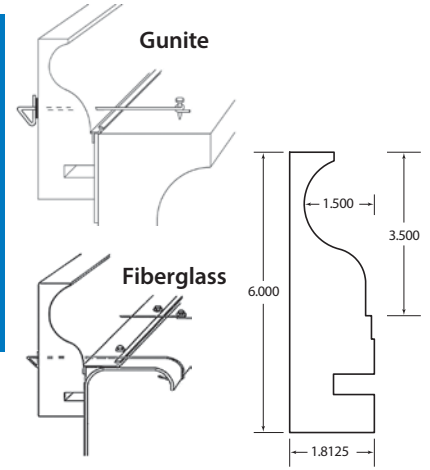
Poured in Place "Cantilever Forms" (Gunite)



TIE WIRE KIT Includes:  
100 ea. Tie Wires  
100 ea. Washers  
100 ea. Concrete Nails  
1 roll Bending Tape

# INTERMEDIATE

Poured in Place "Cantilever Forms" (Gunite/Fiberglass)



TIE WIRE KIT Includes:  
100 ea. Tie Wires  
100 ea. Washers  
100 ea. Concrete Nails  
1 roll Bending Tape

PACKAGED 96' PER CARTON

DESCRIPTION	PART #
Deep Regular Form Only	12CF000
Deep Regular Form - No Tie Wire - White Tile Strip	12CF011
Deep Regular Form - Tie Wire - No Tile Strip	* 12CF111
Deep Regular Form - Tie Wire - White Tile Strip	* 12CF112
Deep Regular Form - Tie Wire - Grey Tile Strip	* 12CF122
Deep Regular Form - Tie Wire - Tan Tile Strip	* 12CF132
Deep Regular Form - Tie Wire - Black Tile Strip	* 12CF162

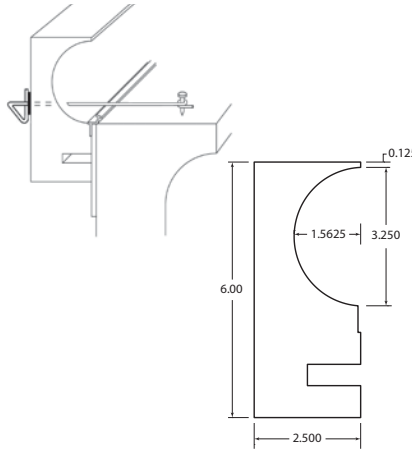
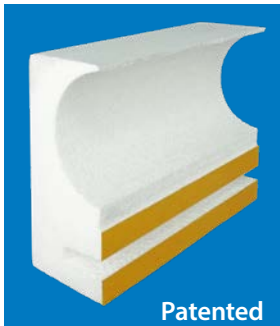
\* Includes 2 Tie Wire Side Kits

PACKAGED 112' PER CARTON

DESCRIPTION	PART #
Intermediate Form Only	2CF000
Intermediate Form - No Tie Wire - White Tile Strip	2CF011
Intermediate Form - Tie Wire - No Tile Strip	2CF111
Intermediate Form - Tie Wire - White Tile Strip	2CF112
Intermediate Form - Tie Wire - Grey Tile Strip	2CF122
Intermediate Form - Tie Wire - Tan Tile Strip	2CF132
Intermediate Form - Tie Wire - Black Tile Strip	2CF162
Intermediate Tie Wire w/ Plumb Strip - White (Fiberglass)	2CF912
Intermediate Tie Wire w/ Plumb Strip - Grey (Fiberglass)	2CF922
Intermediate Tie Wire w/ Plumb Strip Flex - White (Fiberglass)	2CF912-FLEX
Intermediate Tie Wire w/ Plumb Strip Flex - Grey (Fiberglass)	2CF922-FLEX

# SANDSTONE FORM

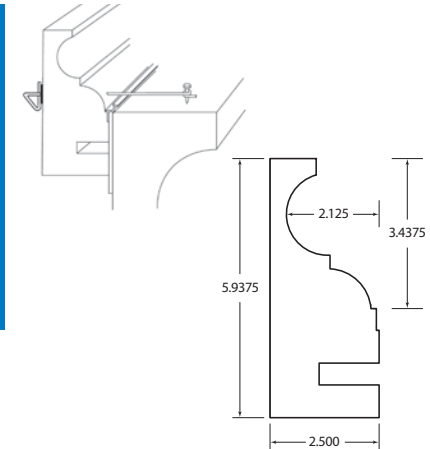
Poured in Place "Cantilever Forms" (Gunite)



TIE WIRE KIT Includes:  
100 ea. Tie Wires  
100 ea. Washers  
100 ea. Concrete Nails  
1 roll Bending Tape

# OG FORM

Poured in Place "Cantilever Forms" (Gunite)



TIE WIRE KIT Includes:  
100 ea. Tie Wires  
100 ea. Washers  
100 ea. Concrete Nails  
1 roll Bending Tape

PACKAGED 80' PER CARTON

DESCRIPTION	PART #
Sandstone Form Only	17CF000
Sandstone Form - No Tie Wire - White Tile Strip	17CF011
Sandstone Form - Tie Wire - No Tile Strip	* 17CF111
Sandstone Form - Tie Wire - White Tile Strip	* 17CF112
Sandstone Form - Tie Wire - Grey Tile Strip	* 17CF122
Sandstone Form - Tie Wire - Tan Tile Strip	* 17CF132
Sandstone Form - Tie Wire - Black Tile Strip	* 17CF162

\* Includes 2 Tie Wire Side Kits

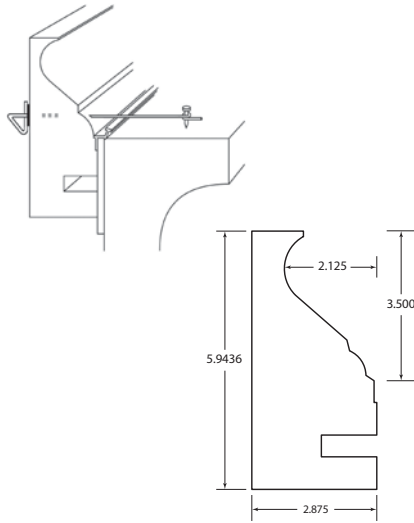
PACKAGED 80' PER CARTON

DESCRIPTION	PART #
OG Form - Form only	20CF000
OG Form - No Tie Wire - White Tile Strip	20CF011
OG Form - Tie Wire - No Tile Strip	* 20CF111
OG Form - Tie Wire - White Tile Strip	* 20CF80
OG Form - Tie Wire - Grey Tile Strip	* 20CF122
OG Form - Tie Wire - Tan Tile Strip	* 20CF132
OG Form - Tie Wire - Black Tile Strip	* 20CF162

\* Includes 2 Tie Wire Side Kits

# COMMERCIAL FORM

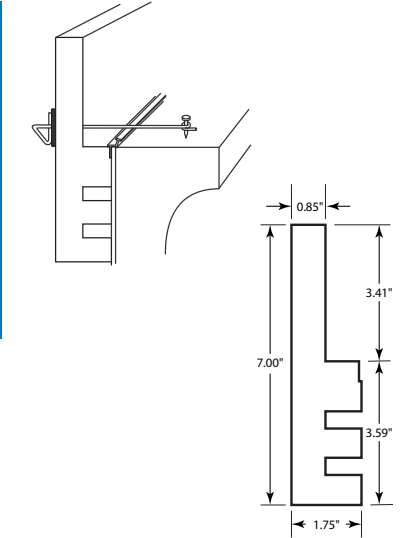
Poured in Place "Cantilever Forms" (Gunite)



TIE WIRE KIT Includes:  
100 ea. Tie Wires  
100 ea. Washers  
100 ea. Concrete Nails  
1 roll Bending Tape

# SQUARE EDGE FORM

Poured in Place "Cantilever Forms" (Gunite)



TIE WIRE KIT Includes:  
100 ea. Tie Wires  
100 ea. Washers  
100 ea. Concrete Nails  
1 roll Bending Tape

PACKAGED 80' PER CARTON

DESCRIPTION	PART #
Commercial Form Only	3CF000
Commercial Form - Tie Wire - No Tile Strip	* 3CF111
Commercial Form - Tie Wire - White Tile Strip	* 3CF80
Commercial Form - Tie Wire - Tan Tile Strip	* 3CF802
Commercial Form - Tie Wire - Black Tile Strip	* 3CF803
Commercial Form - Tie Wire - Grey Tile Strip	* 3CF805

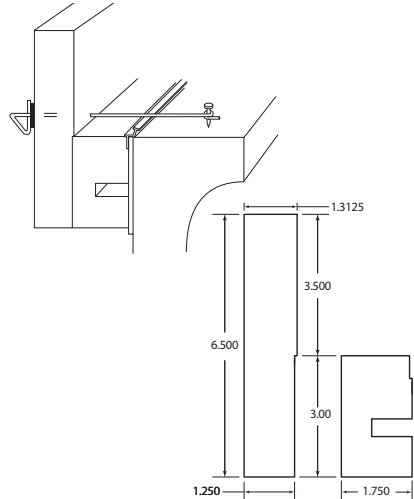
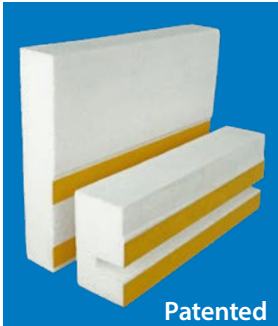
\* Includes 2 Tie Wire Side Kits

PACKAGED 112' PER CARTON

DESCRIPTION	PART #
Square Edge Form - Form Only	24CF000
Square Edge Form - No Tie Wire - White Tile Strip	24CF011
Square Edge Form - Tie Wire - No Tile Strip	24CF111
Square Edge Form - Tie Wire - White Tile Strip	24CF112
Square Edge Form - Tie Wire - Grey Tile Strip	24CF122
Square Edge Form - Tie Wire - Tan Tile Strip	24CF132
Square Edge Form - Tie Wire - Black Tile Strip	24CF162

# STAMP-A-FORM

Poured in Place "Cantilever Forms" (Gunite)



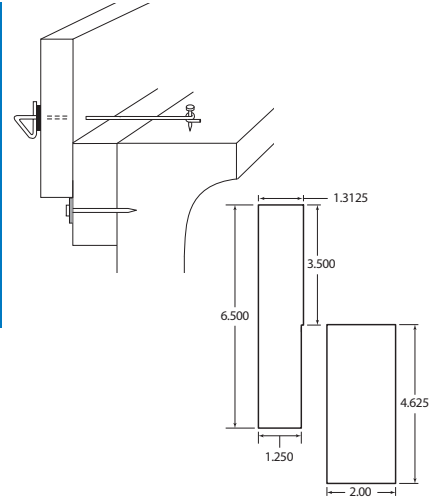
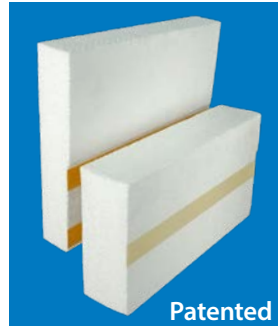
TIE WIRE KIT Includes:  
100 ea. Tie Wires  
100 ea. Washers  
100 ea. Concrete Nails  
1 roll Bending Tape

PACKAGED 96' PER CARTON

DESCRIPTION	PART #
Stamp-A-Form - Tie Wire - White Tile Strip	10CF112
Stamp-A-Form - Tie Wire - Grey Tile Strip	10CF122
Stamp-A-Form - Tie Wire - Tan Tile Strip	10CF132
Stamp-A-Form - Tie Wire - Black Tile Strip	10CF162

# STAMP-A-FORM with Nail-On Ledger

Poured in Place "Cantilever Forms" (Gunite)



CARTON Includes:  
100 ea. Tie Wires  
100 ea. Washers  
100 each 2" Concrete Nails  
100 each 2 1/2" Concrete Nails  
100 each Fender Washers  
1 roll Bending Tape

PACKAGED 112' PER CARTON

DESCRIPTION	PART #
Stamp-A-Form With Nail-On Ledger - Tie Wire	13CF112

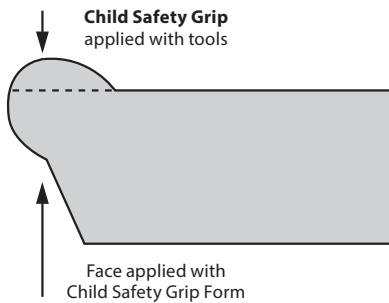
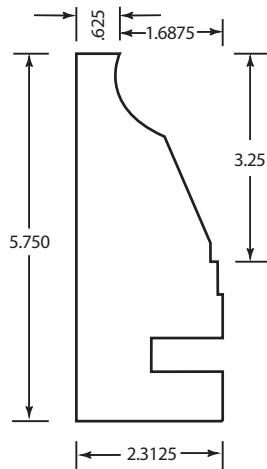
This form is designed for Stamped Concrete Applications before the tile is applied.

This form is designed to be used when pouring stamped concrete. The two-piece design allows the contractor to leave the ledger portion in place while removing the form early enough to stamp the face.

# CHILD SAFETY GRIP FORM



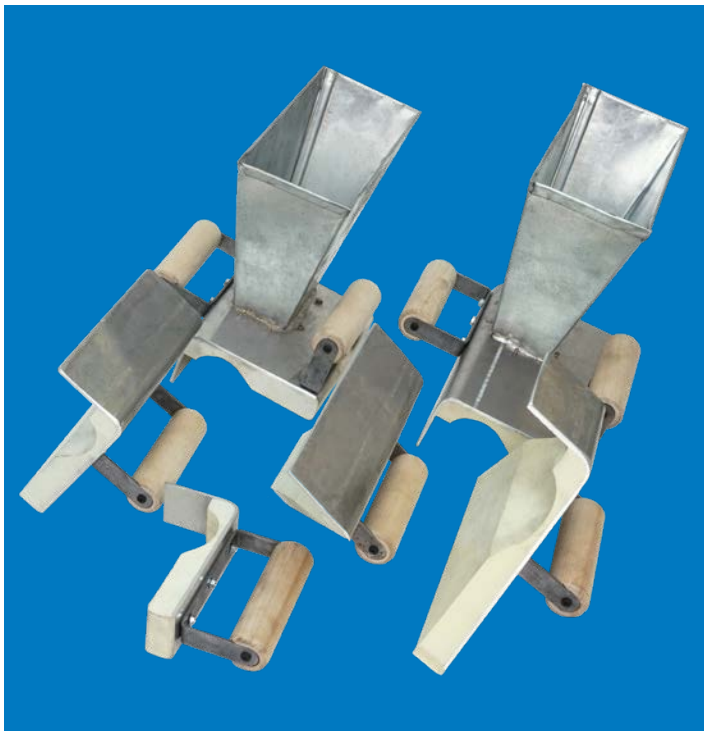
Patented



PACKAGED 112' PER CARTON

DESCRIPTION	PART #
Child Safety Grip Form Only	CSG000
Child Safety Grip Form - No Tie Wire - White Tile Strip	CSG011
Child Safety Grip Form - Tie Wire - No Tile Strip	CSG111
Child Safety Grip Form - Tie Wire - White Tile Strip	CSG112
Child Safety Grip Form - Tie Wire - Grey Tile Strip	CSG122
Child Safety Grip Form - Tie Wire - Tan Tile Strip	CSG132
Child Safety Grip Form - Tie Wire - Black Tile Strip	CSG162

# CHILD SAFETY GRIP TOOLS



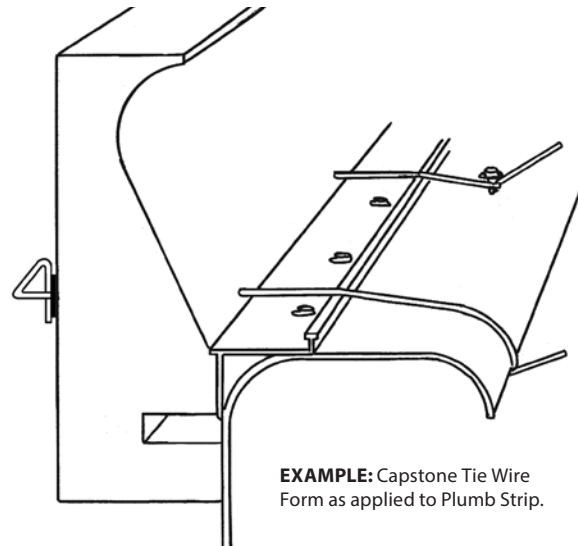
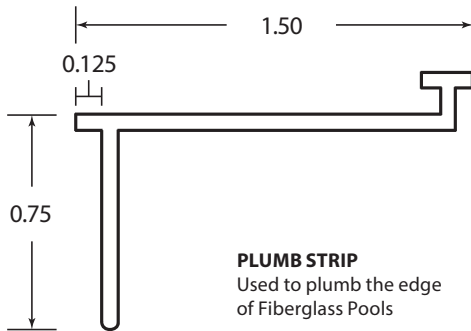
DESCRIPTION	PART #	
Radius Tool	CSG1CE	
Profile Edging Tools	CSG1EDG	
Hopper Applicator Tool - Large	CSG1LH	
Hopper Applicator Tool - Small	CSG1SM	
Inside 90° Corner Tools	CSG190-I	
Outside 90° Corner Tools	CSG190-O	
Complete Set	CSG1000	

**NOTE: We recommend the use of our Frontier Desert Seal on child safety grip pours to help reduce the effects of freeze/thaw damage. See page 43.**

# PLUMB STRIP

## Used to Square the Top Edge of Fiberglass Pools (Fiberglass)

Plumb Strips are PVC corner strips used to square the top edge of a fiberglass pool (one piece) in preparation for setting a Cantilever form. Plumb Strips are installed using the self-tapping screws provided. Flex Track is available. Tighter radii may be formed by adding additional relief cuts, making Plumb Strip adaptable to virtually any pool or step configuration.



DESCRIPTION	STRAIGHT	FLEX
Plumb Strip - White	FBGL-W	FBGL-W-FLEX
Plumb Strip - Grey	FBGL-G	FBGL-G-FLEX

**"FLEX" PLUMB STRIP** allows for easy application on free formed pools.

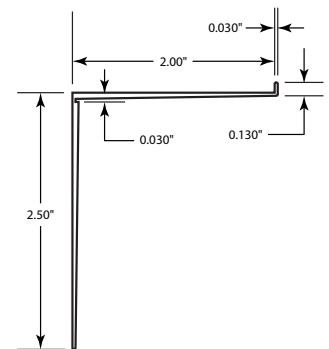
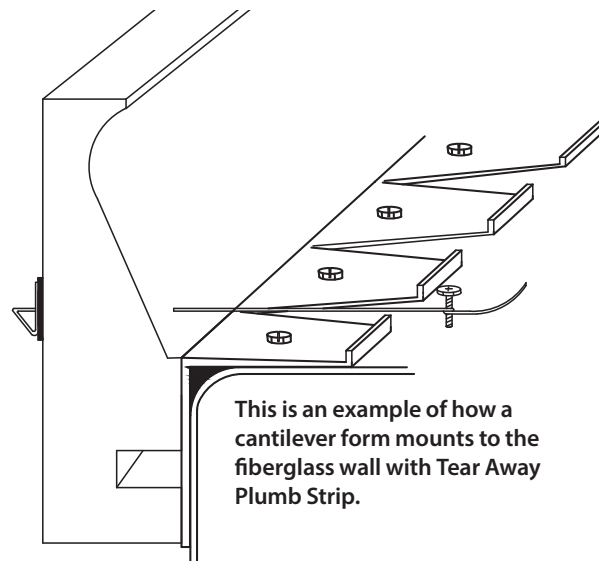
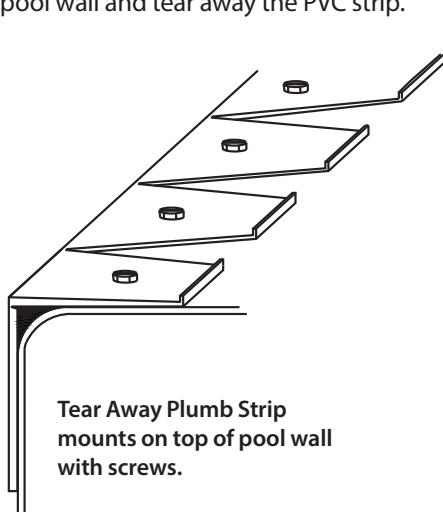
**CARTON INCLUDES:**

- 112' PLUMB STRIP - 8' LENGTHS
- 100 SELF-TAPPING SCREWS

# TEAR AWAY PLUMB STRIP

## Now you can tear away the Plumb Strip when you're done! (Fiberglass)

Tear Away Plumb Strips are PVC corner strips used to square the top edge of a fiberglass pool (one piece) in preparation for setting a Cantilever Form. Tear Away Plumb Strips are installed using double-faced tape and self-tapping screws. Tighter radii may be formed by adding additional relief cuts making Tear Away Plumb Strips adaptable to virtually any pool or step configuration. Once the Concrete is poured and the form is removed you can easily grab the exposed PVC below the concrete bend out away from the pool wall and tear away the PVC strip.



DESCRIPTION	PART #
Tear Away Plumb Strip - Grey	TPS-G
Tear Away Plumb Strip Flex	TPS-G-FLEX

**CARTON INCLUDES:**

- 112' TEAR AWAY PLUMB STRIP - 8' LENGTHS
- 100 SELF-TAPPING SCREWS

# TEXTURIT FORM & LINER

## Textured Pool Forming System

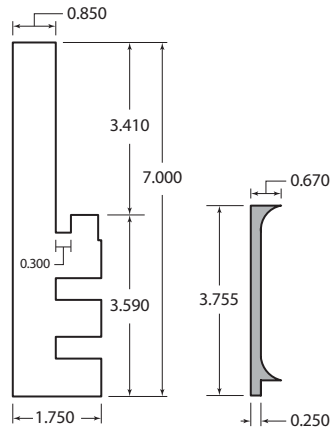
- User-friendly foam forms
- Re-usable liners
- Conforms to virtually any pool shape

PACKAGED 112' TEXTURIT FORM, 112' TILE STRIP AND 1 ROLL BENDING TAPE

DESCRIPTION	PART #
Texturit Form - No Tile Strip	23CF111
Texturit Form - White	23CF112
Texturit Form - Grey	23CF122
Texturit Form - Tan	23CF132
Texturit Form - Black	23CF162

PACKAGED 60' PER CARTON

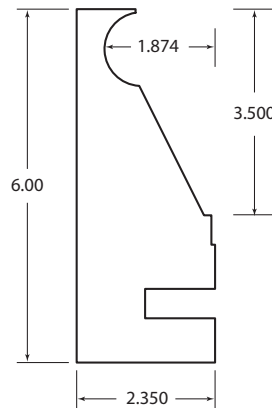
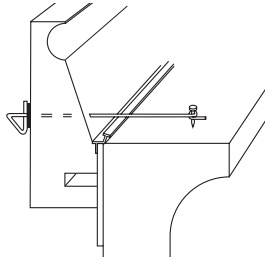
DESCRIPTION	PART #
Texturit Liner	23TM60



# CLASSIC ROMAN

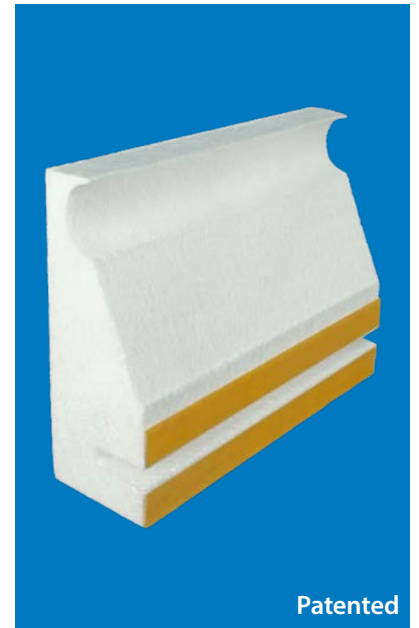
## Poured in Place "Cantilever Forms" (Gunite)

TIE WIRE KIT Includes:  
100 ea. Tie Wires  
100 ea. Washers  
100 ea. Concrete Nails  
1 roll Bending Tape



PACKAGED 112' PER CARTON

DESCRIPTION	PART #
Classic Roman Form Only	21CF000
Classic Roman Form - No Tie Wire - White Tile Strip	21CF011
Classic Roman Form - Tie Wire - No Tile Strip	21CF111
Classic Roman Form - Tie Wire - White Tile Strip	21CF112
Classic Roman Form - Tie Wire - Grey Tile Strip	21CF122
Classic Roman Form - Tie Wire - Tan Tile Strip	21CF132
Classic Roman Form - Tie Wire - Black Tile Strip	21CF162



# TILE STRIP

To be used with Cantilever Forms.

DESCRIPTION	PART #
White	TILE-W
Grey	TILE-G
Tan	TILE-T
Black	TILE-B

PACKAGED 112' PER CARTON  
8' LENGTHS





## TILE STRIP FLEX

To be used with Cantilever Forms. Pre cut for flexibility.

DESCRIPTION	PART #
White	TILE-W-FLEX
Grey	TILE-G-FLEX
Tan	TILE-T-FLEX
Black	TILE-B-FLEX

PACKAGED 112" PER CARTON  
8' LENGTHS



## RENOVATION TILE STRIP

Renovation Tile Strip is an innovative design used for replacement and renovation of discolored or broken tile strips. The attachment process is mechanical. The top flange is designed to compress when inserted into a saw cut 5/8" deep x 1/8" wide. A bead of adhesive placed between the top flanges adheres the strip in place.

DESCRIPTION	PART #
White	TREN1W

112' PER CARTON, 8' LENGTHS  
(back edge may be cut for radius)



(Renovation)

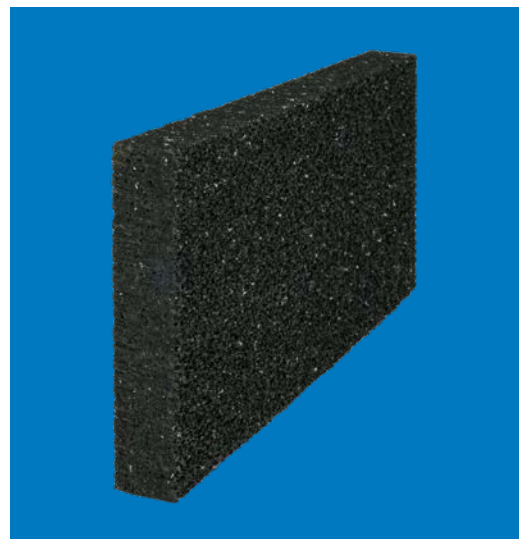
## TILE LEDGER BOARD

Tile Ledger Board is a reusable system that is used in setting perimeter tile on inground concrete pools. Because this product can be used for an entire season and more, Tile Ledger Board can be considered a "tool" rather than a material that has to be continuously reordered like other ledger materials.

- **REUSABLE**
- **NAIL HOLES** (pre-drilled)
- **FLEXIBLE YET RIGID**

DESCRIPTION	PART #
Size: 1" x 4" x 4'	TLB-001

PACKAGED 40' PER CARTON



# TIE WIRE SIDE KIT

The Tie Wire Side Kit is designed to attach Stegmeier LLC forms to the pool wall. Place the plastic washer on the tie wire and push the tie wire through the form at the proper elevation. Wrap the tie wire around the 1 1/2" concrete nail to secure.

**CARTON INCLUDES:**

- 100 TIE WIRES
- 100 PLASTIC WASHERS
- 100 1 1/2" CONCRETE NAILS
- 1 ROLL OF BENDING TAPE

DESCRIPTION	PART #
Tie Wire Side Kit (1 per carton)	CFA001-SINGLE
Tie Wire Side Kit (5 per carton)	CFA001



# PLUMB STRIP SIDE KIT

The Plumb Strip Side Kit is designed to attach Stegmeier LLC forms to a fiberglass pool. Place the plastic washer on the tie wire and push the tie wire through the form at the proper elevation. Wrap the tie wire around the screw or bend over the back edge of the pool lip to secure.

**CARTON INCLUDES:**

- 100 TIE WIRES
- 100 PLASTIC WASHERS
- 200 SCREWS
- 1 ROLL OF BENDING TAPE

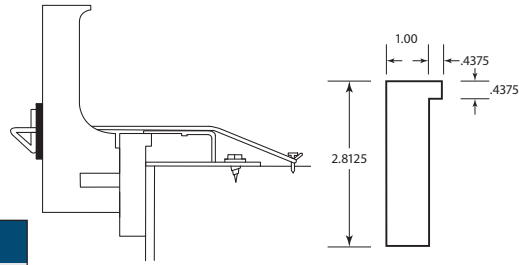
DESCRIPTION	PART #
Plumb Strip Side Kit	CFA050

PACKAGED 1 PER CARTON



# ENCAPSULATED FORM ADAPTER

The Encapsulated Form Adapter allows you to set any of our gunite style forms on a pool with an encapsulated cover track.

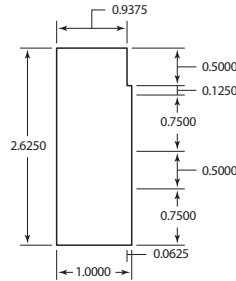


DESCRIPTION	PART #
8' length (112' per carton)	EFA112

# 1" EXTENDER STRIP

For 1" Cantilevered Edge Extension

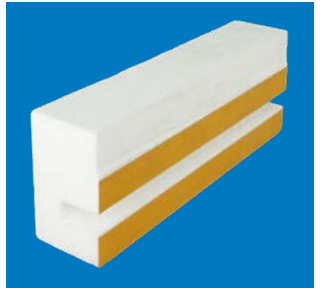
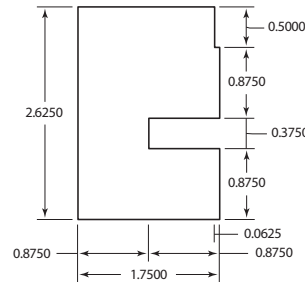
DESCRIPTION	PART #
8' length (480' per carton)	6CF999
4' length (32' per carton)	6CF999-32



# 1 3/4" EXTENDER STRIP

For 1-3/4" Cantilevered Edge Extension

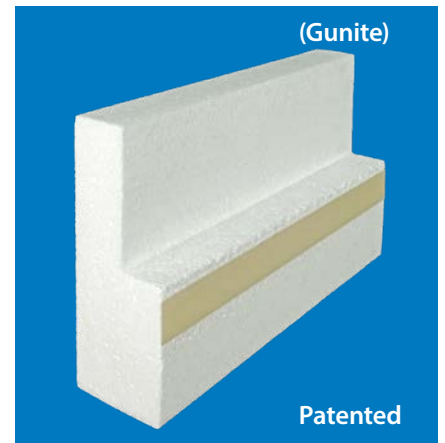
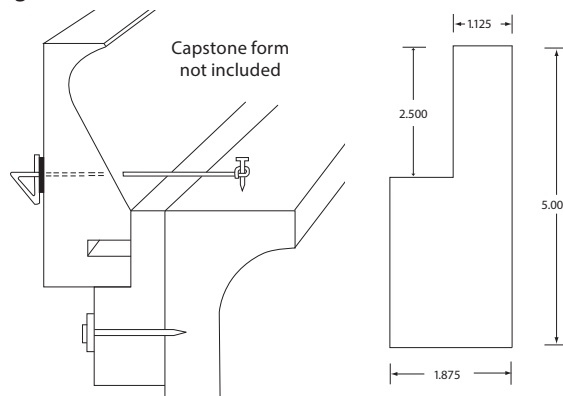
DESCRIPTION	PART #
8' length (240' per carton)	7CF999
4' length (32' per carton)	7CF999-32



# STEP LEDGER

This ledger system is used when it is necessary to pour the cantilever deck prior to setting the tile. Step ledger is nailed to the pool wall, level with the high point and the Stegmeier pool form is attached with double faced tape. Step ledger may be used to install any of the following Stegmeier deck forms:

- CAPSTONE
- REGULAR
- DEEP REGULAR
- INTERMEDIATE
- CLASSIC ROMAN
- COMMERCIAL
- SANDSTONE
- OG FORM
- RESIN ROCK
- DEEP RESIN ROCK



DESCRIPTION	PART #
Step Ledger	16CF112

#### CARTON INCLUDES:

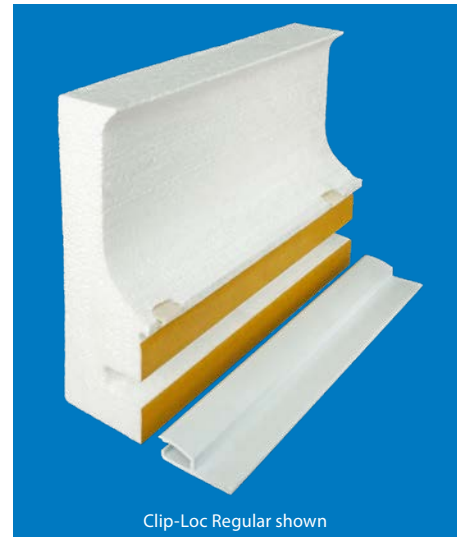
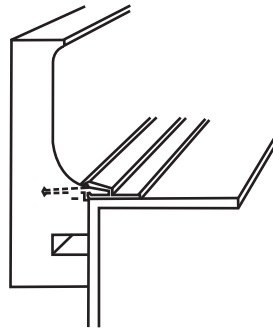
- 112' STEP LEDGER
- 100 2-1/2" CONCRETE NAILS
- 100 2" CONCRETE NAILS
- 100 FENDER WASHERS
- 1 ROLL BENDING TAPE

# CLIP-LOC Regular, Capstone and Intermediate with Liner Track

## Poured in Place Cantilever Form (Liner Pools)

The Clip-Loc Form attaches to the pool wall panel with double-faced tape and plastic clips (embedded in the foam). The clips snap into the liner track at 6 inch intervals and provide a positive and secure locking device.

DESCRIPTION	PART #
Capstone	8CF1000
Capstone (Without Track)	8CF1000NT
Capstone (With Flex Track)	8CF1000FT
Regular	8CF1001
Regular (Without Track)	8CF1001NT
Regular (With Flex Track)	8CF1001FT
Intermediate	8CF1002
Intermediate (Without Track)	8CF1002NT
Intermediate (With Flex Track)	8CF1002FT

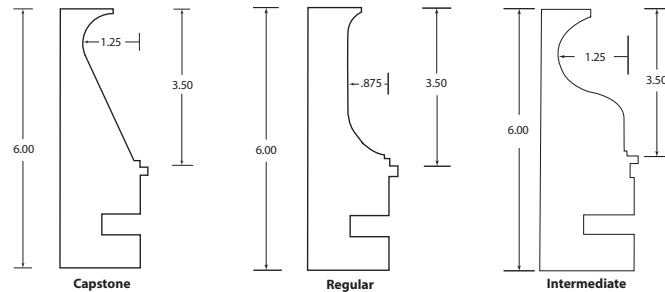


Clip-Loc Regular shown

**Aluminum Liner Track is also available**  
Just order "WITHOUT TRACK" and order 8CF950 for Aluminum Liner Track (Straight) or 8CF955 for Aluminum Liner Track (Flex-Track).

### CARTON INCLUDES:

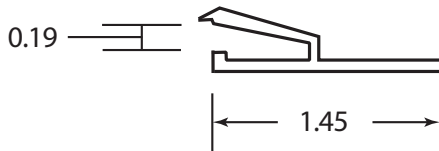
- 112' CLIP-LOC FORMS
- 112' LINER TRACK
- 100 SELF-TAPPING SCREWS
- 1 ROLL BENDING TAPE



## LINER TRACK

All Liner Tracks are available in Flex-Track to freely form to any pool shape.

Liner Track is long lasting, economical and works well with all Stegmeier Clip-Loc forms. Liner Track is made with 100% Virgin P.V.C. with UV inhibitors.



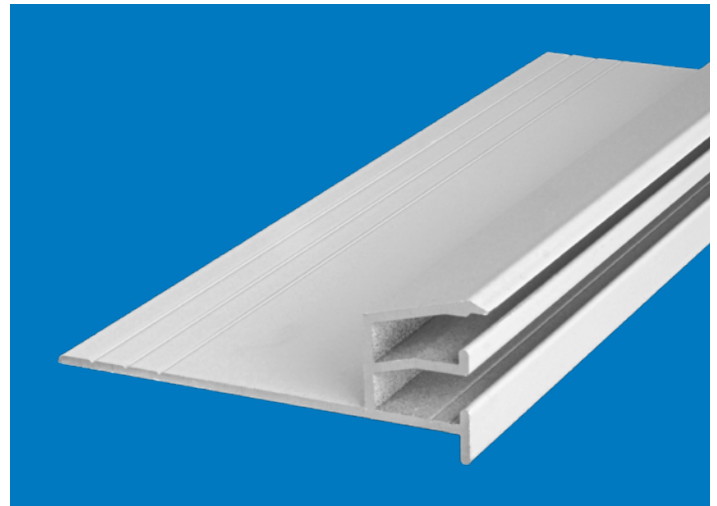
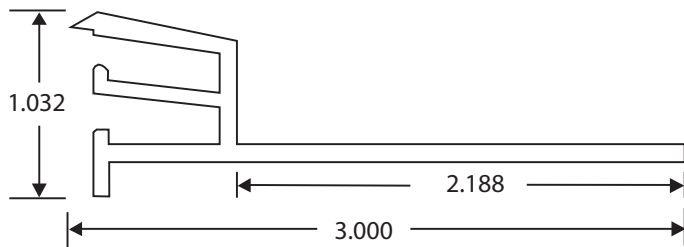
PRODUCT	DESCRIPTION	PART #	
Liner Track	Straight	50 pieces per carton	8CF998
	Straight	14 pieces per carton	8CF998-112
	Flex-Track	25 pieces per carton	8CF999
	Flex-Track	14 pieces per carton	8CF999-112
pieces are 8' in length			
Corner Radius Track	2' Pieces	10 pieces per carton	8CF997

## DUAL ALUMINUM LINER TRACK

The Dual Aluminum Liner Track system allows for a liner to be placed into position before the cantilever form placement occurs.

This liner track provides a lower slot that is designed to accommodate most liner beads. The upper slot will accept any of the Clip-Loc Form profiles.

Stegmeier offers a PVC filler strip extrusion that will fill the upper slot after the forms have been removed. See page 12.

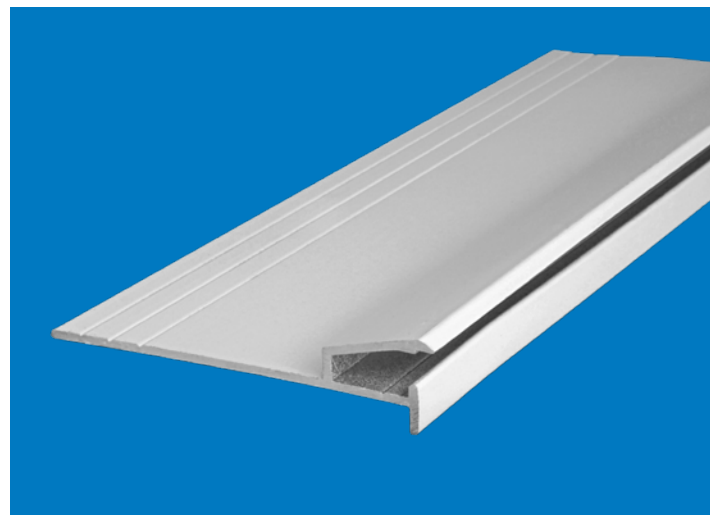
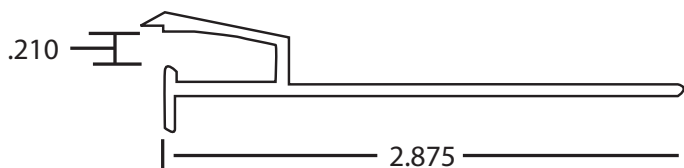


PRODUCT	DESCRIPTION		PART #
Dual Aluminum Liner Track	Straight	14 - 8 ft. pcs. per carton	8CF970
	Flex-Track	14 - 8 ft. pcs. per carton	8CF975

## ALUMINUM LINER TRACK

### Liner Track (Liner)

Aluminum Liner Track is extra wide, making it easy to fasten. It works well with polymer walls, metal walls and concrete walls.



PRODUCT	DESCRIPTION		PART #
Aluminum Liner Track	Straight	14 - 8 ft. pcs. per carton	8CF950
	Flex-Track	14 - 8 ft. pcs. per carton	8CF955

## FILLER STRIP

Filler Strip is used to fill the gap that is left when using Clip-Loc Liner Form with Dual Aluminum Liner Track.

DESCRIPTION	PART #
Grey	FLS122
White	FLS112

PACKAGED 112'  
(112' lengths / 1 roll)



## NO-GUM TAPE

This tape provides a removable protective film that leaves no gum residue. The Cantilever Forms may be attached directly to the tape surface. This product is recommended for use with one-piece fiberglass pools and liner pools having the liner installed prior to pouring the deck.

DESCRIPTION	PART #
12 Rolls per carton	#4287 -12
1 Roll	#4287

2" x 60 yard



## S-CLIP

### Liner Receptor used on Above Ground Liner Pools

Stegmeier's S-Clip has a heavier gauge liner bead receiver that resists liner roll-out. This heavy-duty extrusion slips down over the top of the pool wall adding rigidity while holding the liner bead firmly in place. With this design, the stabilizer bar may be clipped over the top of the S-Clip instead of being threaded from the end.

- **Heavy-Duty Design**
- **Stabilizer Bar May Be Clipped Over**
- **UV-Resistant Material**
- **53-Inch Lengths**

DESCRIPTION	PART #
S-Clip	SCLIP

PACKAGED 40 PIECES  
PER CARTON



# CANTILEVER STEP KIT

Forming system used to install Cantilever edges on molded, preformed steps. (Liner)

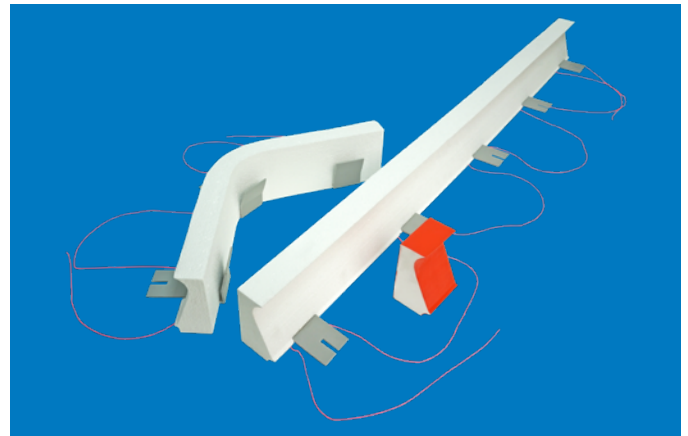
The Kit attaches mechanically to the top flat surface of the molded, preformed step. This unique design adapts to virtually any preformed step application.

## STANDARD STEP KIT INCLUDES:

- 3 4' STRAIGHT PIECES WITH CLIPS
- 2 PREFORMED CORNERS WITH CLIPS
- 1 48" AND 2 EACH 36" BRACES
- 25 SCREWS AND WASHERS
- 25 TIE WIRES
- 1 PROFILE EDGING TOOL
- 1 ROLL BENDING TAPE

## RADIUS STEP KIT FOR RADIUS STEPS (No Corners):

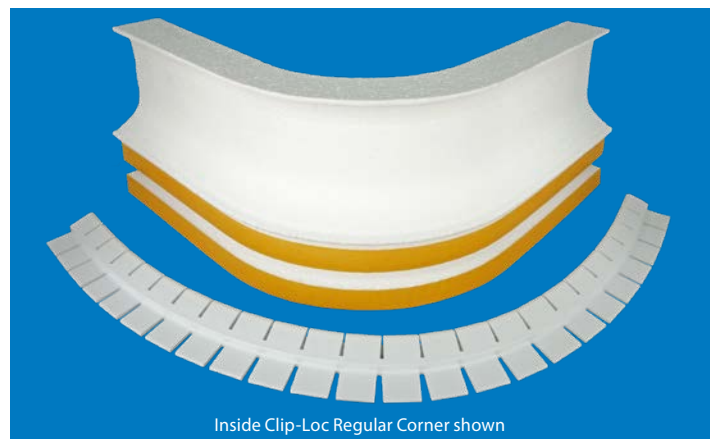
- 5 4' STRAIGHT PIECES
- 50 SCREWS
- 50 WASHERS
- 50 TIE WIRES
- 1 PROFILE EDGING TOOL
- 1 ROLL BENDING TAPE



DESCRIPTION	REGULAR	CAPSTONE	INTERMEDIATE
STANDARD STEP KIT	1CSK24	9CSK24	2CSK24
RADIUS STEP KIT for radius steps (No corners)	1CSK24-STR	9CSK24-STR	2CSK24-STR

# PREFORMED CORNERS

## Preformed radius corners



DESCRIPTION	6" INSIDE	6" OUTSIDE	12" INSIDE	90° INSIDE	90° OUTSIDE
Regular	14RC6-I	14RC6-O	14RC12-I	14RC90-I	14RC90-O
Capstone	94RC6-I	94RC6-O	94RC12-I	94RC90-I	94RC90-O
Sandstone	174RC6-I	174RC6-O	174RC12-I	---	---
Commercial	34RC6-I	34RC6-O	34RC12-I	---	---
Clip-Loc Capstone	84RCC6-I	84RCC6-O	84RCC12-I	---	---
Clip-Loc Regular	84RCR6-I	84RCR6-O	84RCR12-I	---	---
Clip-Loc Intermediate	84RCI6-I	84RCI6-O	84RCI12-I	---	---

4 PIECES PER CARTON

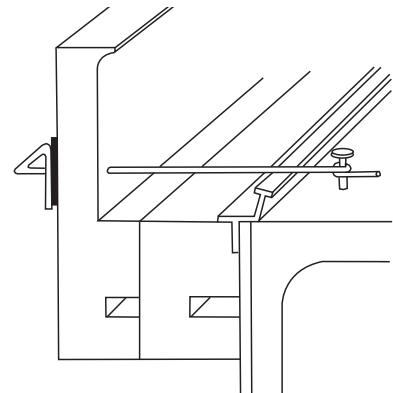
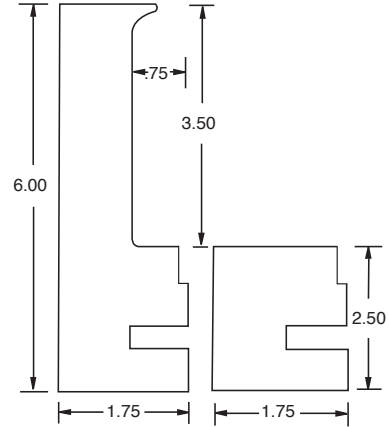
# POOL COVER FORM

## Poured in Place Pool Cover Cantilever Form (Gunite)



Patented

This form is used when pouring the deck prior to installing the automatic pool cover track. The automatic pool cover track is attached to the flat surface under the concrete cantilever edge.



DESCRIPTION		PART #
Pool Cover Form - Tie Wire - White Tile Strip	*	4CF112
Pool Cover Form - Tie Wire - Grey Tile Strip	*	4CF122
Pool Cover Form - Tie Wire - Tan Tile Strip	*	4CF132
Pool Cover Form - Tie Wire - Black Tile Strip	*	4CF162
Pool Cover No Extender - Tie Wire - White Tile Strip	**	4CF112NE

\* PACKAGED 104' PER CARTON  
(INCLUDES 2 TIE WIRE SIDE KITS)

\*\* PACKAGED 112' PER CARTON (INCLUDES 1 TIE WIRE SIDE KIT)

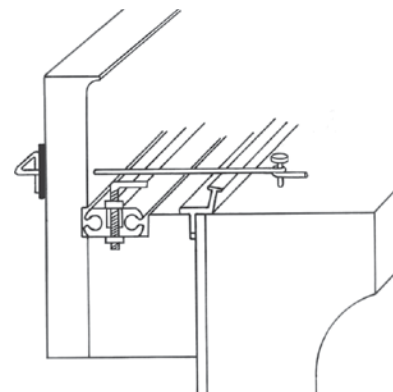
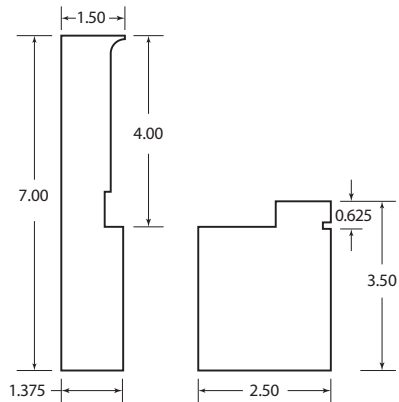
# POOL COVER FORM II

## Poured in Place Pool Cover Form (Gunite)



Patented

This product saves time by mounting the track the same day as the pour and is an extremely strong attachment because the anchors are cast into the concrete.



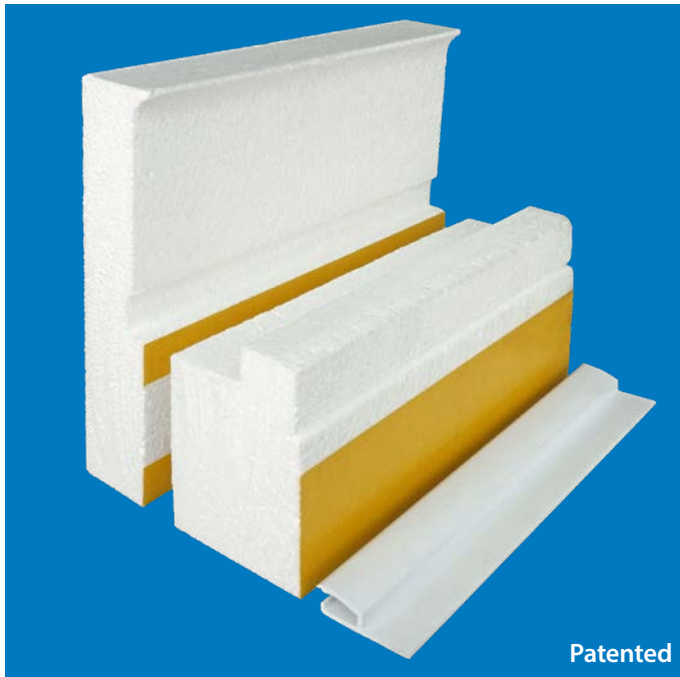
### CARTON INCLUDES:

- 104' POOL COVER FORMS
- STAINLESS STEEL HARDWARE KIT
- 90 DEGREE PREFORMED GUNITE CORNER KIT
- 2 TIE WIRE SIDE KITS

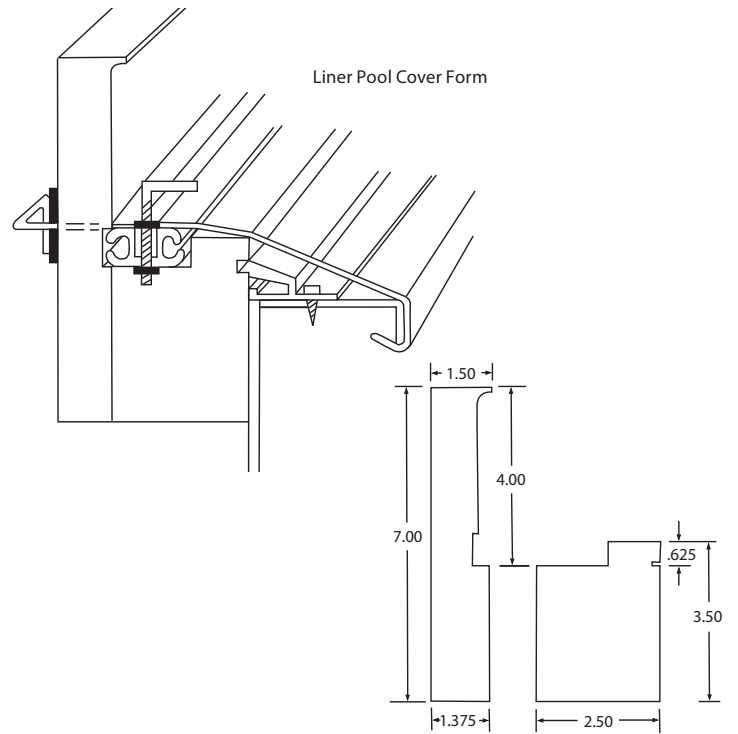
DESCRIPTION		PART #
Pool Cover Form II Tie Wire - White Tile Strip		4PC104
Pool Cover Form II Capstone Tie Wire - White Tile Strip		49PC104
Pool Cover Form II Regular Tie Wire - White Tile Strip		41PC104



# LINER POOL COVER FORM



The Liner Pool Cover Form is a poured in place Cantilever Form that allows the contractor to install the pool cover track at the time of the pour.



DESCRIPTION	PART #	PACKAGED
Liner Pool Cover Form Regular - Tie Wire - Liner Track *	8PC104	104' PER CARTON

(For Aluminum Liner Track) Just add extension "NT" to the back of the part# and order 8CF950 for Aluminum Liner Track (Straight)

\* Includes 2 Tie Wire Side Kits

# POOL COVER FORM E

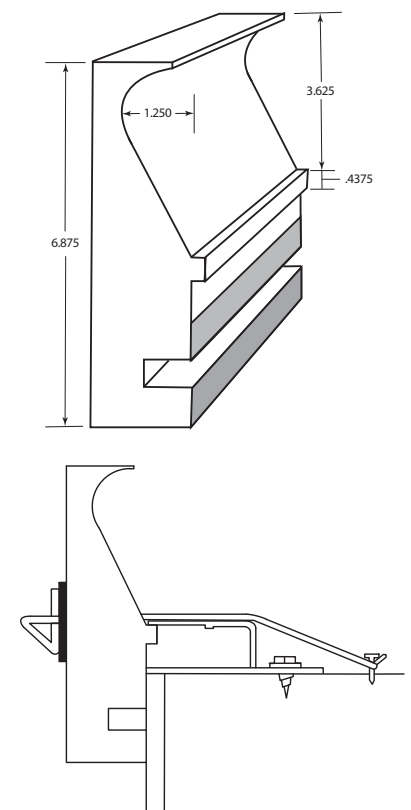
## Poured in Place Pool Cover Form for Pools having Encapsulated Tracks

Pool Cover Form E provides a cantilever edge on swimming pools having encapsulated automatic pool covers. The foam protrusion above the double faced tape is designed to key into the aluminum channel, keeping the track clean during the pour and establishing elevation.

**Part# 4PCEL**

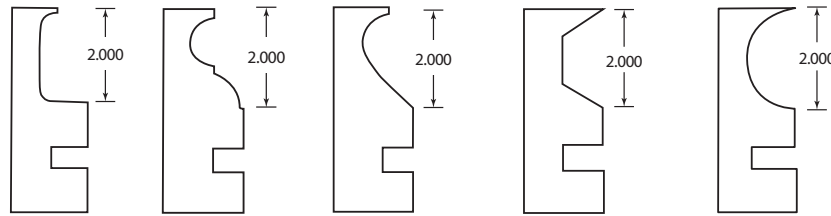
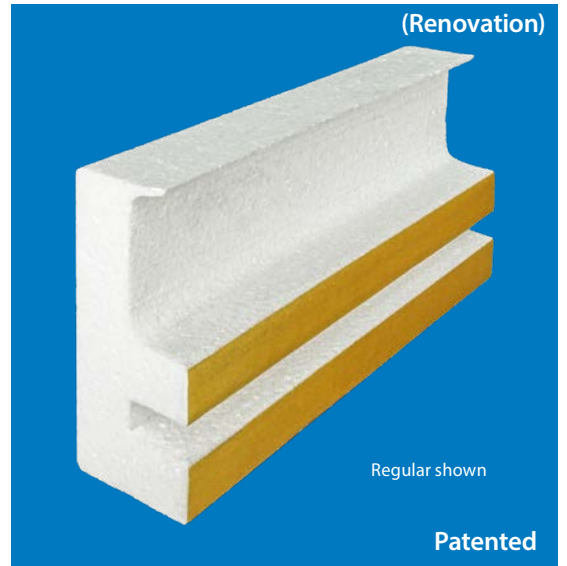
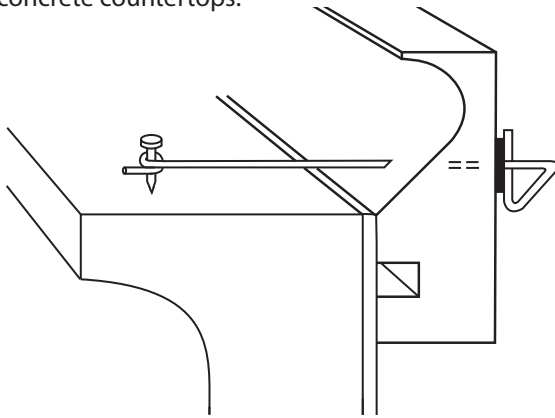
**CARTON INCLUDES:**

- 104' POOL COVER E FORMS
- 125 TIE WIRES
- 125 CONCRETE NAILS
- 125 SELF-TAPPING SCREWS
- 125 WASHERS
- 1 ROLL OF BENDING TAPE



# RENOVATION FORMS

This form is used in remodel applications to replace out-of-date “old fashioned” coping stones. After removing the old coping, Renovation Forms attach to the ceramic tile using double faced tape (Tie Wires are included for extra support). These forms are also used in forming cast-on-site concrete countertops.



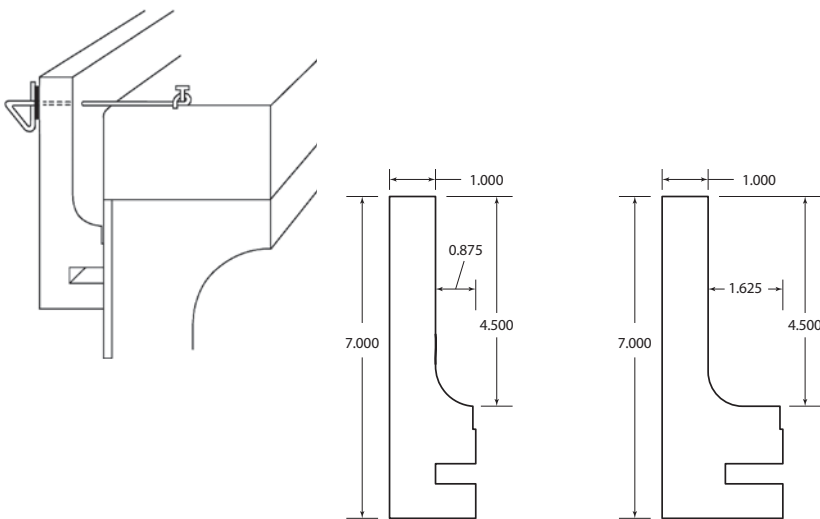
DESCRIPTION	Regular	OG	Capstone	Diamond Cut	Marble Round
PART #	5CF512	5CF612	5CF112	5CF812	5CF712

**CARTON INCLUDES:**

- 112' RENOVATION FORMS
- 1 TIE WIRE SIDE KIT

# RESIN ROCK AND DEEP RESIN ROCK

This form is designed to be used when applying resin overlays to existing cantilever decks. The forms are lined with tape to prevent the solvent based overlays from dissolving the foam and to leave a smooth surface when removed.



DESCRIPTION	RESIN ROCK	DEEP RESIN ROCK
PART #	15CF999L	11CF999L

<b>CARTON INCLUDES:</b>	<b>CARTON INCLUDES:</b>
<ul style="list-style-type: none"> <li>■ 112' RESIN ROCK FORM</li> <li>■ 1 TIE WIRE SIDE KIT</li> </ul>	<ul style="list-style-type: none"> <li>■ 112' DEEP RESIN ROCK FORM</li> <li>■ 1 TIE WIRE SIDE KIT</li> </ul>

# FOAM PROFILE EDGING TOOLS



Finishing or touching-up a Cantilever edge, Step Liner or Wall Cap profile is much easier now that we offer disposable Foam Profile Edging Tools.

This tape-on-form design provides a clean finishing surface that flexes with the foam allowing you to finish without leaving “chatter marks”.

Foam Profile Edging Tools are available to fit the following shapes:



FORM SHAPE	PART #	FORM SHAPE	PART #
Regular	REG2	Stamp-A-Form	SAF2
Capstone	CAP2	Clip-Loc Capstone	CAPCL2
Intermediate	INT2	Clip-Loc Regular	REGCL2
Commercial	COM2	Clip-Loc Intermediate	INTCL2
Sandstone	SAN2	Regular Wall Cap	REG2WC
OG-Form	OGF2	Mini-Cap Wall Cap	MC2WC
Pool Cover	POO2	OG-400 Wall Cap	OG42WC
Pool Cover E	POOEL2	OG-600 Wall Cap	OG62WC
Renovation Capstone*	REN2	Capstone Wall Cap	CAP2WC
Renovation Marble Round*	RENMR2	Commercial Step Liner	COMST2
Renovation Diamond Cut*	REND2	Sandstone Step Liner	SANST2
Renovation OG*	RENOG2	Intermediate Step Liner	INTST2
Renovation Regular*	RENRG2	Regular Step Liner	REGST2
Deep Regular	DRG2	Capstone Step Liner	CAPST2
Deep Resin Rock	DRR2	Safety Tread Step Liner	SAFST2
Resin Rock	RR2	OG Step Liner	OGST2

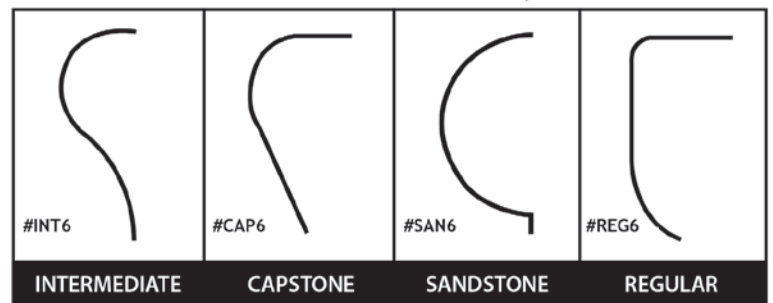
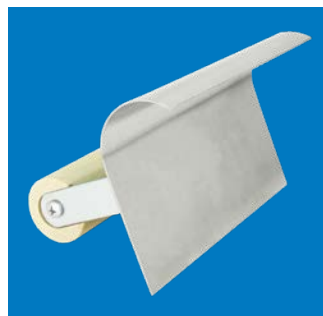
\* Used for Renovation or Concrete Counter Top Forms.

PACKAGED 4 PER CARTON

# STAINLESS STEEL TROWELS

Get a Handle on it with Stainless Steel Nose Tools by Stegmeier LLC

Anyone can now artistically trowel to these preformed shapes with confidence and speed. Contact your Stegmeier distributor and get a handle on it.

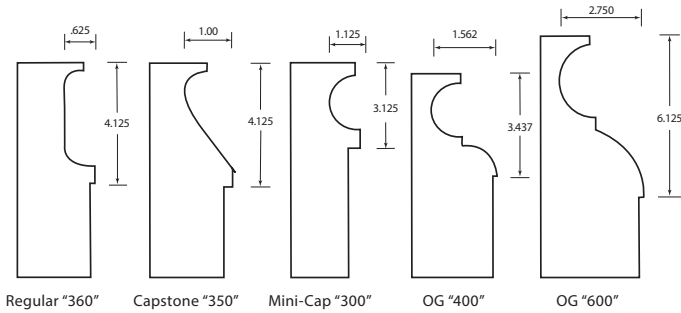


RENOVATION	PART #	WALL CAPS	PART #	STEP LINERS	PART #	POOL FORMS	PART #
Capstone	REN6	OG-400	OG4WC6	Intermediate	INTST6	Intermediate	INT6
Diamond Cut	REND6	Mini-Cap 300	MCWC6	Sandstone	SANST6	Commercial	COM6
Marble Round	RENMR6	Capstone 350	CAPWC6	Capstone	CAPST6	Sandstone	SAN6
				Regular	REGST6	Capstone	CAP6
						Regular	REG6

PACKAGED 1 PER CARTON

# WALL CAP FORMS

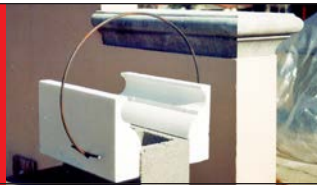
Wall Cap Forms are used to pour concrete caps on block walls, glass block walls, planters and benches. Wall Cap Forms are made of foam, making them lightweight. They are held in place with reusable spring clamps. Wall Cap Forms are available in several classic profiles. They provide an affordable "Cast-in-Place" solution.



WALL CAP FORMS* (80' per carton)	WALL CAP PART #
Regular "360"	REG-360
Capstone "350"	CAP-350
Mini-Cap "300"	MC-300
OG "400"	OG-400
OG "600"	OG-600

PACKAGED 80' PER CARTON

**SPRING CLAMPS**  
are designed to hold the forms securely yet be removed easily without damage to the wall surface



DESCRIPTION	PART #
Spring Clamps *	SPR-CLP

PACKAGED 10 PER CARTON

\* Spring Clamps not included in form box

# CHAMFER CLIPS

## Vertical Surface Detail Molds (Wall Caps, Pool Forms, Step Liners)

Chamfer Clips are used to continue a deep jointer mark over the edge of the most detailed Stegmeier vertical surfaces. These reusable molds are pinned to the inside of the form with nails and are removed when the forms are stripped so the edge is ready to finish.



RENOVATION	PART #
Capstone*	RENC-CC-24
Marble Round*	RENMR-CC-24
Regular*	RENRG-CC-24

\* Also used with Counter Top forms

WALL CAP	PART #
Mini-Cap "300"	MC3-CC-24
O-G "400"	OG4-CC-24
O-G "600"	OG6-CC-24
Regular-360	RG6-CC-24
Capstone-350	CP5-CC-24

PACKAGED 24 PER CARTON

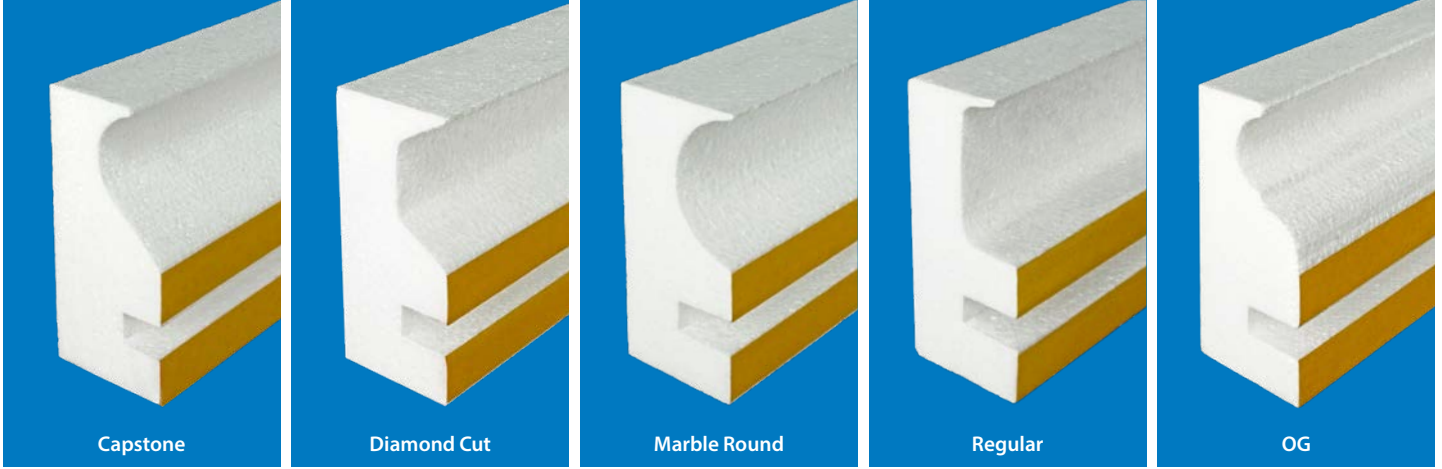
POOLS	PART #
Regular	REG-CC-24
Capstone	CAP-CC-24
Sandstone	SAN-CC-24
OG	OG-CC-24
Intermediate	INT-CC-24
Pool Cover	POO-CC-24

STEP LINERS	PART #
Regular	REGST-CC-24
Capstone	CAPST-CC-24
Sandstone	SANST-CC-24
Intermediate	INTST-CC-24
Commercial	COMST-CC-24

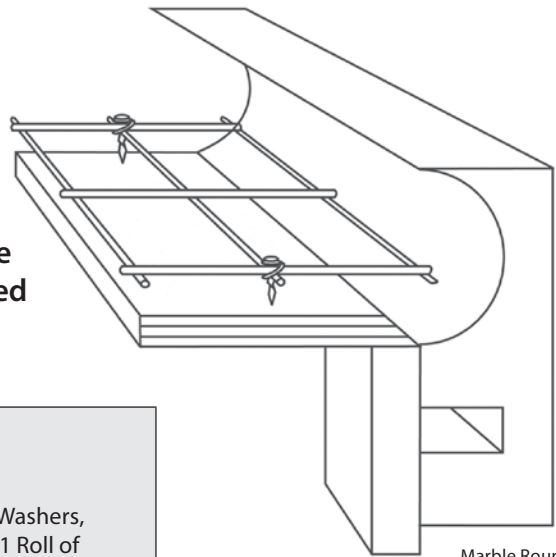
# COUNTERTOP FORMS

## For poured in place concrete countertops

Stegmeier's Countertop Forms are the answer to installing the popular counters found in many contemporary kitchens, baths and commercial sites such as restaurants and bars. These short 2" thick profiles are the perfect height for most applications and can be shaped or mitered to any angle.



Countertop Forms have a smooth even texture allowing them to be stripped early while there is ample time for finishing.

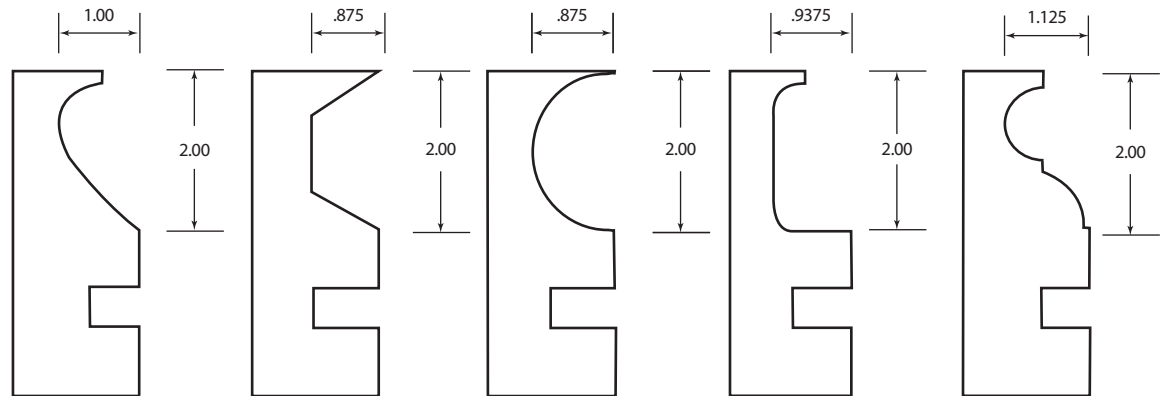


Marble Round shown



**CARTON INCLUDES:**

- 32' COUNTERTOP FORMS
- 1 COUNTERTOP SIDE KIT (25 Tie Wires, 25 Wood Screws, Washers, 1 Foam Profile Edging Tool and 1 Roll of Bending Tape)



DESCRIPTION	CAPSTONE	DIAMOND CUT	MARBLE ROUND	REGULAR	OG
PART #	CTF-32-CS	CTF-32-DC	CTF-32-MR	CTF-32-RG	CTF-32-OG

If 3 1/2" thick counters are desired see Pool Forms.

# STEP LINERS

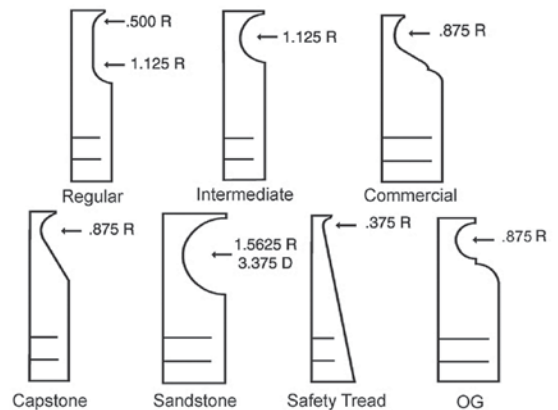
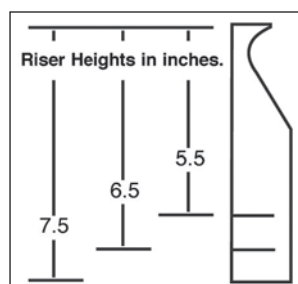
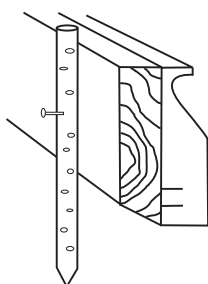


**AFFORDABLE, LABOR SAVING,  
BEAUTIFUL RESULTS**

Step Liners are a flexible foam step liner used to produce architectural profiles when pouring concrete steps. These labor saving forms are attached to the inside of the wood forms using spray adhesive or nails. Radius steps may be formed by attaching Step Liners to Slip-N-Join Lumber (a reusable plastic bender board by Stegmeier LLC). Break-away slots allow for three (3) riser heights. Step Liners may be stripped and finished much earlier than conventional forms.



DESCRIPTION	LENGTH	PART #	QUANTITY
Regular	4'	1STP40	40 LF
Regular	8'	1STP80	80 LF
Intermediate	4'	2STP40	40 LF
Intermediate	8'	2STP80	80 LF
Commercial	4'	3STP24	24 LF
Commercial	8'	3STP48	48 LF
Capstone	4'	9STP40	40 LF
Capstone	8'	9STP80	80 LF
Sandstone	4'	17STP40	28 LF
Sandstone	8'	17STP80	56 LF
Safety Tread	4'	19STP40	40 LF
Safety Tread	8'	19STP80	80 LF
OG	4'	20STP24	24 LF
OG	8'	20STP48	48 LF



# SLIP-N-JOIN LUMBER



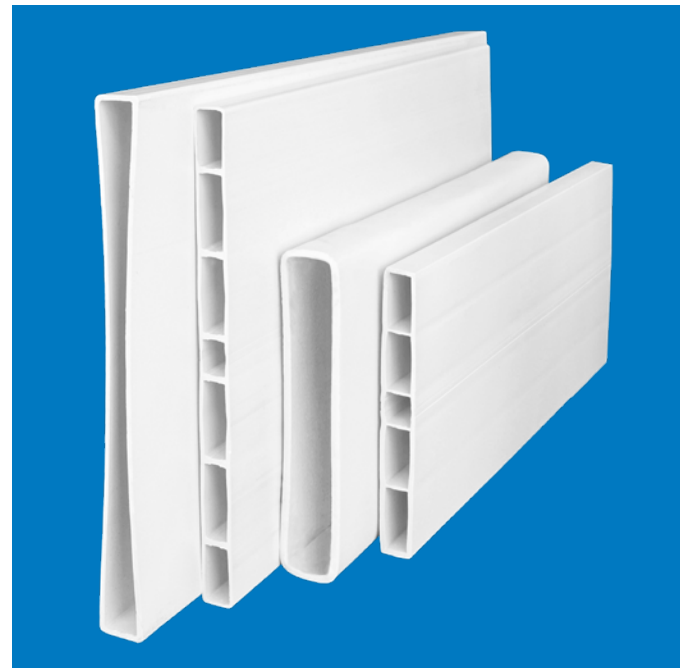
**Slip-N-Join Lumber** is a reusable synthetic forming material that's ideal for producing free-form concrete designs that win awards in the swimming pool as well as the landscaping industry.

## ECONOMY

Slip-N-Join Lumber, unlike plywood or masonite, is reusable making it more economical with each job. A light oil film is necessary for the first two uses.

## TIME SAVING

Your forming crew will find Slip-N-Join Lumber a lightweight and easy to work with material. Less grade marks are necessary, as Slip-N-Join Lumber does not warp and tends to find its own elevation. The forms are connected by simply plugging into the couplers, eliminating the need for time-consuming splicing.



DESCRIPTION	PART #	SPECIFICATIONS	CONTENTS
Slip-N-Join Lumber (includes 12 couplers)	MS007	3/8" x 3-1/2" x 12'	144' per carton – 12' lengths
Couplers (3-5/8")	MS009	1/2" x 3-3/4" x 7-1/4"	12 per carton
Slip-N-Join Lumber (includes 6 couplers)	MS006	3/8" x 5-1/2" x 12'	72' per carton – 12' lengths
Couplers (5-1/2")	MS008	9/16" x 5-9/16" x 10"	6 per carton

# FRONTIER POLI-VOID

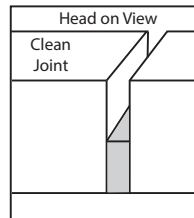
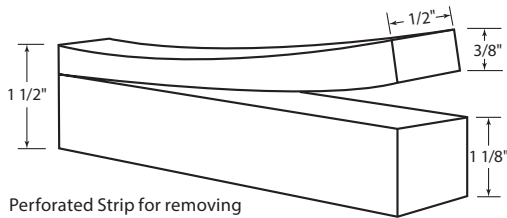
## Flexible Expansion Joint Material System

Frontier Poli-Void by Stegmeier LLC is available in three heights: 1-1/2", 3" and 4" with 3/8" perforated tear strip.

### FRONTIER POLI-VOID INSTRUCTIONS:

To determine the size needed, check the coping. If you have just the depth of the coping, use the 1-1/2". If the bond beam is notched or goes straight down from the bottom of the coping, use the 3".

With the 3/8" tear strip in an upward position, apply spray adhesive 1/2" below the tear strip section so as not to interfere with the bonding of the joint sealant. The concrete is poured to the opposite side and edged with 1/4" edger. The deck (surface) should be allowed to cure before the 3/8" tear strip is removed and the Boss Joint Sealant is applied.



**COMPRESSION, psi**  
at 10% deflection - less than 10  
at 80% deflection - less than 125

**MOISTURE VAPOR PERMEABILITY**  
perm inches - less than 0.4

**WATER ABSORPTION**  
% volume - less than 0.5

**DENSITY**  
Pounds/ft. 3 - 2.4 - 2.8

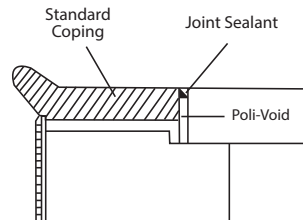
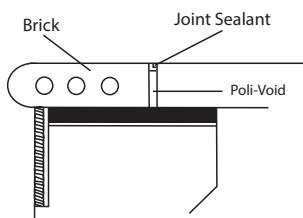
**TEMPERATURE STABILITY**  
-18° to 150°

SIZES AVAILABLE	RLS PER BUNDLE	PART# PACKAGE OPTIONS		RLS PER BUNDLE	PART# PACKAGE OPTIONS
		Corrugated	Plastic Bag		
1/4" x 1 1/2" x 120'	32	PV11B	PV11B-BAG	8	PV11B-BAG-4
1/4" x 3" x 120'	16	PV12B	PV12B-BAG	4	PV12B-BAG-4
1/2" x 1 1/2" x 60'	32	PV13B	PV13B-BAG	8	PV13B-BAG-4
1/2" x 3" x 60'	16	PV14B	PV14B-BAG	4	PV14B-BAG-4
1/4" x 4" x 120'	12	PV15B	PV15B-BAG	4	PV15B-BAG-4
1/2" x 4" x 60'	12	PV16B	PV16B-BAG	4	PV16B-BAG-4

# JOINT SEALANT

## Self Leveling, One Part Silicone Joint Sealant

Joint Sealant cures to a firm, flexible silicone rubber that is UV resistant and adheres to concrete, brick, masonry, wood, glass, vinyl and most plastics.



DESCRIPTION	PART #
White	BJS629W
Tan	BJS629T
Grey	BJS629G

**CARTON INCLUDES:**  
■ 6 29 OZ. SEALANT TUBES

WIDTH	DEPTH							
	1/8"	1/4"	3/8"	1/2"	5/8"	3/4"	7/8"	1"
1/8"	279'	139'	93'	69'	56'	46'	40'	35'
1/4"		70'	46'	35'	28'	23'	20'	17'
3/8"			31'	23'	18'	15'	13'	11'
1/2"				17'	14'	11'	10'	9'
5/8"					11'	9'	8'	7'
3/4"						8'	6'	6'
7/8"							5'	5'
1"								4'

Chart shows approximate lineal ft. of coverage per 29 oz. tube.





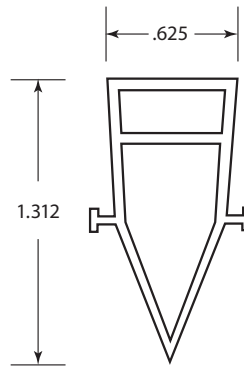
# FRONTIER DECK JOINT

Frontier Deck Joint provides the necessary crack control, but not so deep as to interfere with steel placement. In addition to control, it adds a beautiful finished look. It is cost effective, durable and easy to install. With the "T" member ears embedded in concrete, surface water seepage is kept from subsoil.

DESCRIPTION	PART #
Black	SDJIB
Grey	SDJIG
Tan	SDJIT
White	SDJIW

PACKAGED 240' PER CASE  
IN 12' LENGTHS WITH  
PROTECTIVE TAPE ON TOP

For full expansion joint control, use with Rigid Hold.



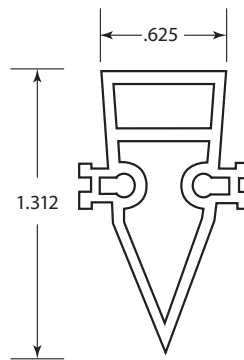
# RIGID DECK JOINT

Rigid PVC control joint to be used in exterior patios, driveways, pool decks or wherever less flexibility is desired to assure straight lines in decking. The 5/8" x 1-5/16" control joint is deep enough to produce required crack control, but not so deep as to interfere with steel placement.

DESCRIPTION	PART #
Black	RDJIB
Grey	RDJIG
Tan	RDJIT
White	RDJIW

PACKAGED 240' PER CASE  
IN 12' LENGTHS WITH  
PROTECTIVE TAPE ON TOP

For full expansion joint control, use with Rigid Hold.



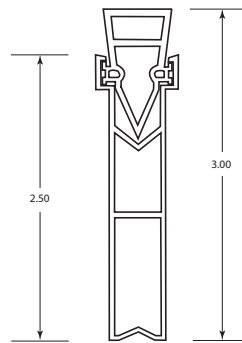
# RIGID HOLD

**When preset expansions are the answer.**

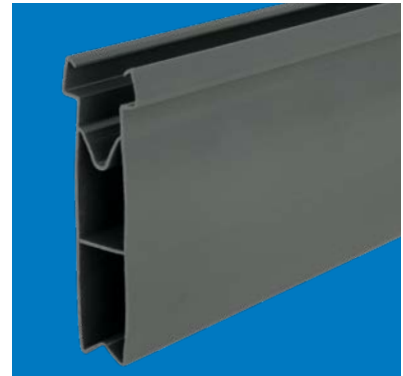
Rigid Hold is a full-expansion base that is used in presetting either Frontier Deck Joint or Rigid Deck Joint. With expansion joint snapped in place, Rigid Hold measures a full 3" in height.

PART#	RJH2
-------	------

PACKAGED 240' PER CARTON IN 12' LENGTHS



Joint not included



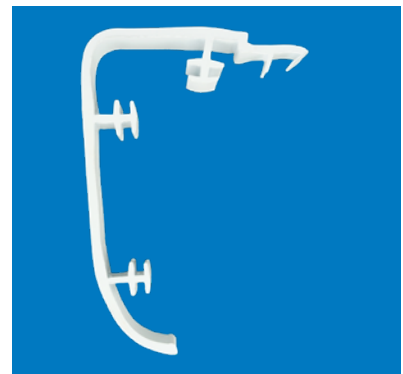
# FRONTIER NOSE CAPS

**Control the joint all the way down**

Frontier Nose Caps are designed to allow the control joint to run smoothly down the face to the tile or pool wall.

DESCRIPTION	WHITE	TAN	GREY
Regular	1NC1	1NC3	1NC6
Capstone	9NC1	9NC3	9NC6
Intermediate	2NC1	2NC3	2NC6
Commercial	3NC1	3NC3	3NC6
Pool Cover & Stamp-A-Form	4NC1	4NC3	4NC6
Child Safety Grip	CSGNC1	CSGNC3	
Sandstone	17NC1	17NC3	

CARTON INCLUDES  
100 PIECES

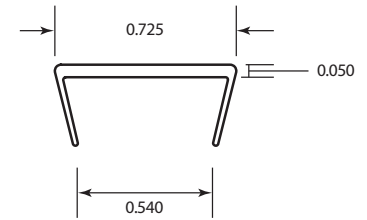
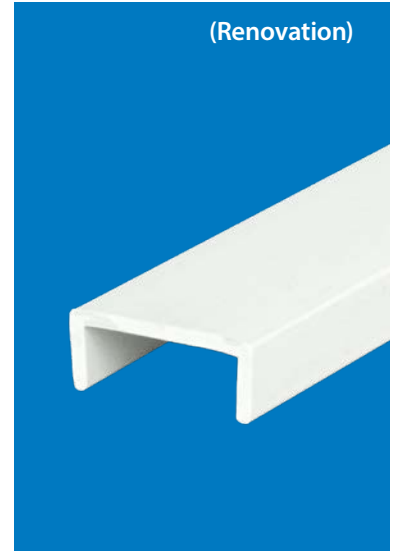
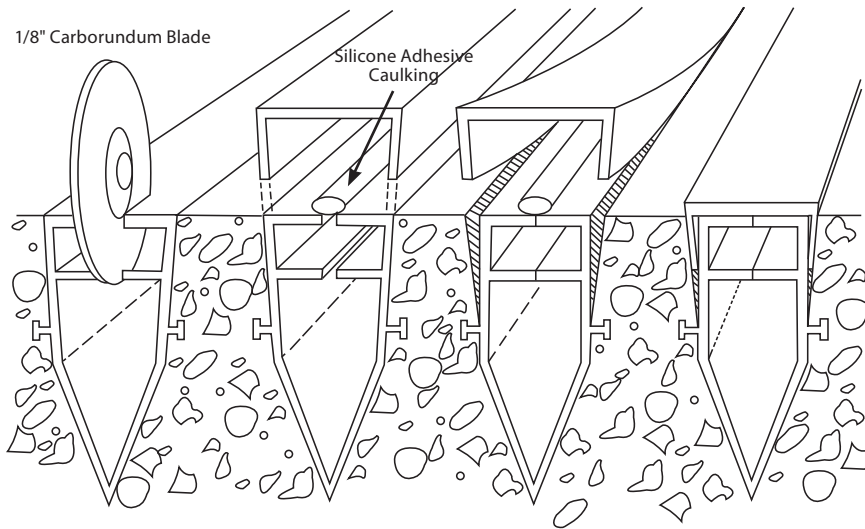


# RE-COVER STRIP

## The First Truly Practical Joint Repair System

These replacement covers are the perfect answer for the repair of damaged deck joints. After making a saw cut through the top of the old joint, this product is clipped over the old joint and held in place with adhesive. Re-Cover Strips can be used on joints that have been edged or not edged.

**WORKS  
EVEN WHEN  
CONCRETE HAS  
NOT BEEN  
EDGED**

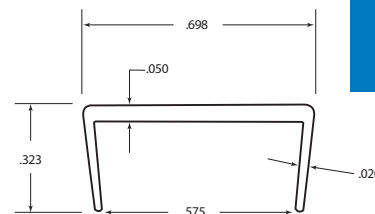
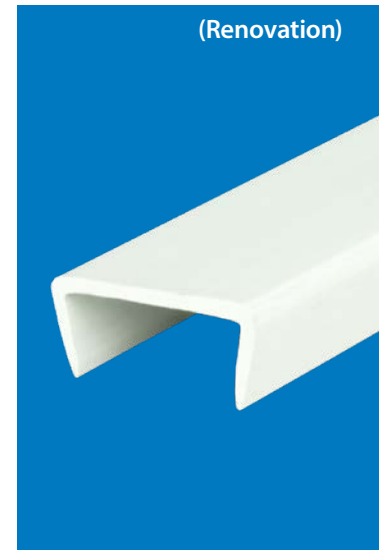
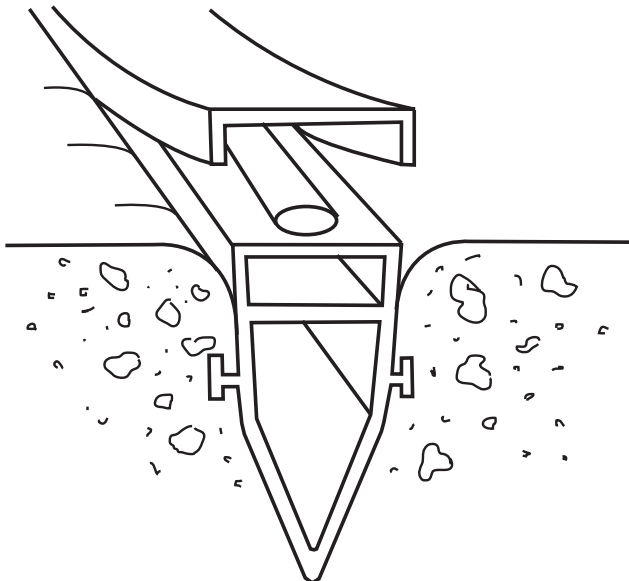


DESCRIPTION	WHITE	GREY	TAN	BLACK
Re-Cover Strip	RS2W	RS2G	RS2T	RS2B

PACKAGED 240' PER CARTON, 12' LENGTHS

# RE-COVER STRIP II

Re-Cover Strip II is used when the old joints have been edged



DESCRIPTION	WHITE	TAN
Re-Cover Strip II	RS2W-2	RS2T-2

PACKAGED 240' PER CARTON, 12' LENGTHS

# CHANNEL DRAIN



Channel Drain has an attractive dual channel top that reduces water pass-over. Channel Drain is an extruded PVC drain that comes with connecting couplers and is designed to be set level. This drain is commonly used in pool decks, patios and other pedestrian traffic areas. Channel Drain is easy to install by staking on grade (no trenching required) and has a full .100" thickness top for durability.

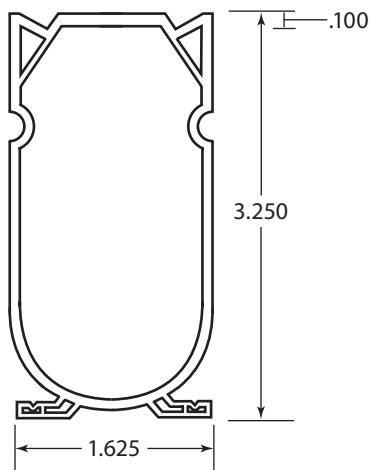
DESCRIPTION	PART #
White *	CD3W
Grey *	CD3G
Tan *	CD3T
Black *	CD3B

THIS DRAIN IS PACKAGED IN 10' LENGTHS WITH PROTECTIVE TAPE ON THE TOP SURFACE.

\* Maximum Flow Rate: 8.1 gal. per minute per foot.

#### CARTON INCLUDES:

- 8 10' CHANNEL DRAIN
- 8 COUPLERS
- 4 END ADAPTERS



Patented

A full range of fittings are available.

# CHANNEL DRAIN FITTINGS

## 90 DEGREE ANGLES



Non-directional 90 degree angle to be used with Channel Drain.

DESCRIPTION	PART #
White	CD9W
Grey	CD9G
Tan	CD9T
Black	CD9B

## CHANNEL DRAIN TEE



Tee to be used with Channel Drain.

DESCRIPTION	PART #
White	CDTW
Grey	CDTG
Tan	CDTT
Black	CDTB

## 45 DEGREE ANGLES



Non-directional 45 degree angle to be used with Channel Drain.

DESCRIPTION	PART #
White	CD4W
Grey	CD4G
Tan	CD4T
Black	CD4B

## CHANNEL DRAIN CROSSES



Cross to be used with Channel Drain.

DESCRIPTION	PART #
White	CDXW
Grey	CDXG
Tan	CDXT
Black	CDXB

## DOWN ADAPTER



Down adapter to be used with Channel Drain. Outlet is 1 1/2" schedule 40 pipe.

DESCRIPTION	PART #
White	CDDAW
Grey	CDDAG
Tan	CDDAT
Black	CDDAB

## CHANNEL DRAIN CLEAN-OUTS



Clean-Out to be used with Channel Drain.

DESCRIPTION	PART #
White	CDCOW
Grey	CDCOG
Tan	CDCOT
Black	CDCOB

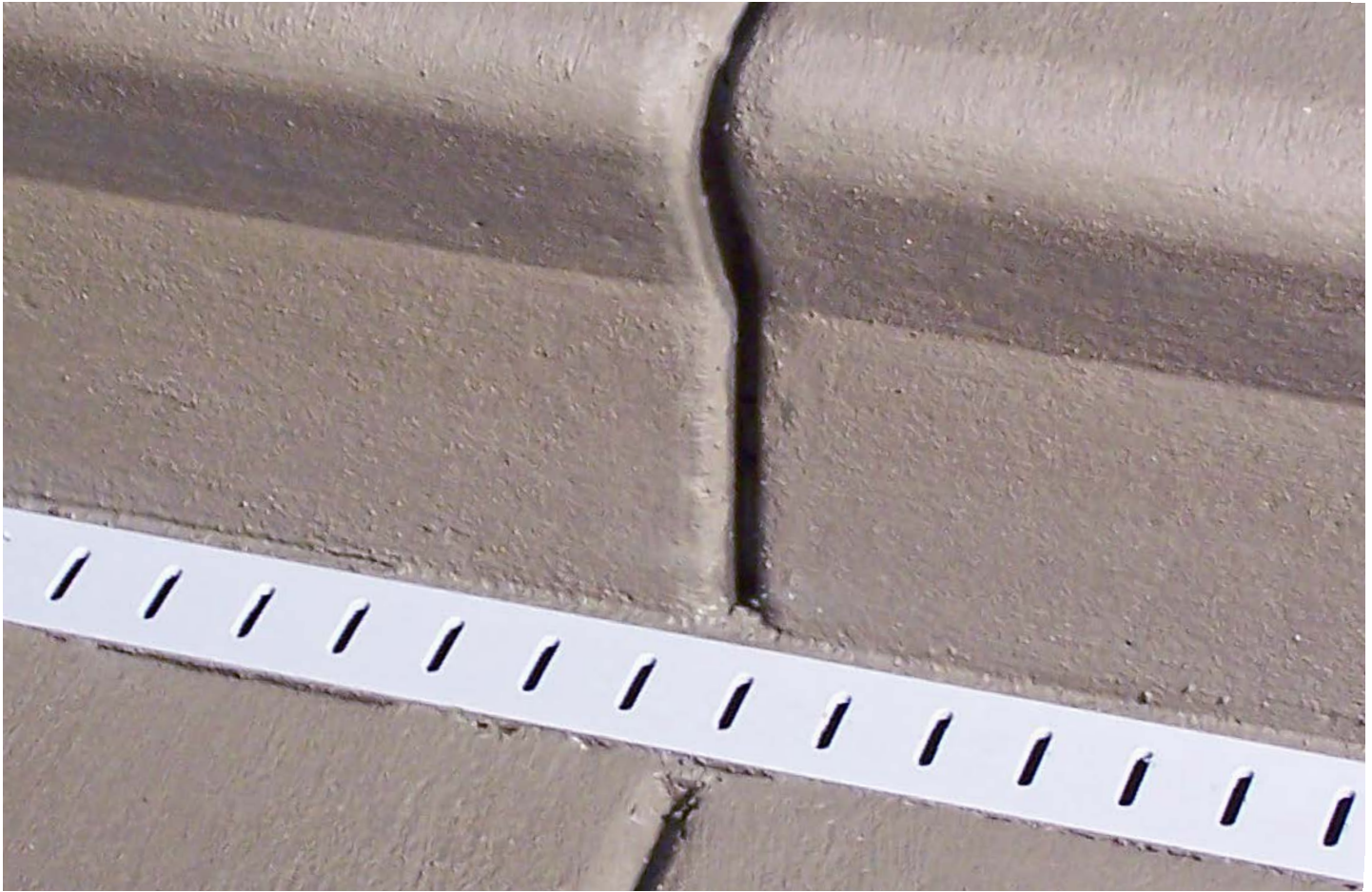
## SIDE ADAPTER



Side Adapter to be used with Channel Drain. Outlet is 1 1/2" schedule 40 pipe.

DESCRIPTION	PART #
White	CDSAW
Grey	CDSAG
Tan	CDSAT
Black	CDSAB

# DECK DRAIN



Stegmeier LLC Deck Drain is an extruded PVC drain that comes with connecting couplers and is designed to be set level. This drain is commonly used in pool decks, patios and other pedestrian traffic areas. Deck Drain is easy to install by staking on grade (no trenching required) and has a full .100" thickness top for durability.

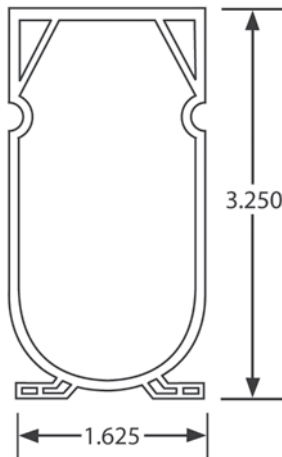
DESCRIPTION	PART #
White *	D2W
Grey *	D2G
Tan *	D2T
Black *	D2B

THIS DRAIN IS PACKAGED IN 10' LENGTHS WITH PROTECTIVE TAPE ON THE TOP SURFACE.

\* Maximum Flow Rate: 7.3 gal. per minute per foot.

**CARTON INCLUDES:**

- 8 10' DECK DRAIN
- 8 COUPLERS
- 4 END ADAPTERS



A full range of fittings are available.

# DECK DRAIN FITTINGS

## 90 DEGREE ANGLES



Non-directional 90 degree angle to be used with Deck Drain.

DESCRIPTION	PART #
White	D9W
Grey	D9G
Tan	D9T
Black	D9B

## DRAIN TEE



Tee to be used with Deck Drain.

DESCRIPTION	PART #
White	DTW
Grey	DTG
Tan	DTT
Black	DTB

## 45 DEGREE ANGLES



Non-directional 45 degree angle to be used with Deck Drain.

DESCRIPTION	PART #
White	D4W
Grey	D4G
Tan	D4T
Black	D4B

## DECK DRAIN CROSSES



Cross to be used with Deck Drain.

DESCRIPTION	PART #
White	DXW
Grey	DXG
Tan	DXT
Black	DXB

## DOWN ADAPTER



Down adapter to be used with Deck Drain. Outlet is 1 1/2" schedule 40 pipe.

DESCRIPTION	PART #
White	DDAW
Grey	DDAG
Tan	DDAT
Black	DDAB

## DECK DRAIN CLEAN-OUTS



Clean-Out to be used with Deck Drain.

DESCRIPTION	PART #
White	DCOW
Grey	DCOG
Tan	DCOT
Black	DCOB

## SIDE ADAPTER



Side Adapter to be used with Deck Drain. Outlet is 1 1/2" schedule 40 pipe.

DESCRIPTION	PART #
White	DSAW
Grey	DSAG
Tan	DSAT
Black	DSAB

# SUPER DRAIN



Super Drain is a technically superior round drain designed for maximum flow capacity, durability and ease of installation. Super Drain features a nailing guide which also acts as a true water seal against moisture transfer to the subsoil. A full range of non-directional fittings, adapters and end clips are available. Because Super Drain fits flush on both sides, it stakes more securely (no more roll over).

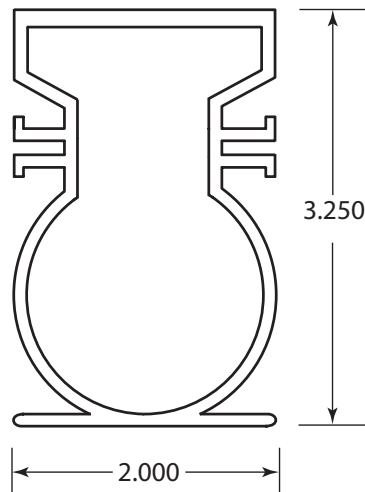
DESCRIPTION	PART #
White *	SRW
Grey *	SRG
Tan *	SRT

THIS DRAIN IS PACKAGED IN 10' LENGTHS WITH PROTECTIVE TAPE ON THE TOP SURFACE.

\* Maximum Flow Rate: 8.8 gal. per minute per foot.

**CARTON INCLUDES:**

- 8 10' SUPER DRAIN
- 8 COUPLERS
- 4 END ADAPTERS



Patented

A full range of fittings are available.

# SUPER DRAIN FITTINGS

## 90 DEGREE ANGLES



Non-directional 90 degree angle to be used with Super Drain.

DESCRIPTION	PART #
White	SR9W
Grey	SR9G
Tan	SR9T

## SUPER DRAIN CROSSES



Cross to be used with Super Drain.

DESCRIPTION	PART #
White	SRXW
Grey	SRXG
Tan	SRXT

## 45 DEGREE ANGLES



Non-directional 45 degree angle to be used with Super Drain.

DESCRIPTION	PART #
White	SR4W
Grey	SR4G
Tan	SR4T

## SUPER DRAIN CLEAN-OUTS



Clean-Out to be used with Super Drain.

DESCRIPTION	PART #
White	SRDCOW
Grey	SRDCOG
Tan	SRDCOT

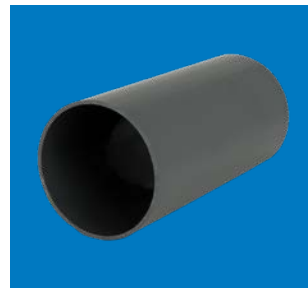
## DOWN ADAPTER



Down adapter to be used with Super Drain. Outlet is 1 1/2" schedule 40 pipe.

DESCRIPTION	PART #
White	SRDAW
Grey	SRDAG
Tan	SRDAT

## SUPER DRAIN COUPLER



Coupler to be used with Super Drain.

DESCRIPTION	PART #
Super Drain Coupler	SRDCUP

## SIDE ADAPTER



Side Adapter to be used with Super Drain. Outlet is 1 1/2" schedule 40 pipe.

DESCRIPTION	PART #
White	SRSAW
Grey	SRSAG
Tan	SRSAT

## SUPER DRAIN END CLIP



End Clip to be used with Super Drain.

DESCRIPTION	PART #
Super Drain End Clip	SREC

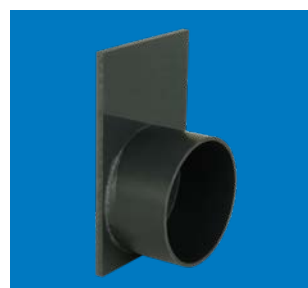
## SUPER DRAIN TEE



Tee to be used with Super Drain.

DESCRIPTION	PART #
White	SRTW
Grey	SRTG
Tan	SRTT

## SUPER DRAIN END PLUG



End Plug to be used with Super Drain.

DESCRIPTION	PART #
Super Drain End Plug	SRDEP



# FRONTIER DECK DRAIN

## Removable Top Drain

Frontier Deck Drain is a removable top drain that features a double-wall base and snap-in top (PVC). When installing this drain, the tops are staggered past the joints making the joints very rigid. Because the tops are removable, this drain is easy to clean and the tops can be replaced if ever damaged. Frontier Deck Drain is used in many residential and commercial swimming pools, patios and other pedestrian areas.

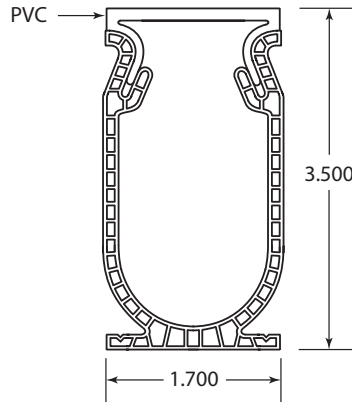
**CARTON INCLUDES:**

- 8 10' BASE
- 8 10' TOP CAP
- 8 COUPLERS
- 4 END ADAPTERS

A full range of fittings are available.

THIS DRAIN IS PACKAGED 80' PER CARTON IN 10' LENGTHS WITH PROTECTIVE TAPE ON THE TOP SURFACE.

**!** This drain is not designed to be used as a full expansion. Stegmeier LLC requires that a Drain Dowel be placed every 36", midway in the drain to prevent damage due to concrete deck movement.

Patented

DESCRIPTION	WHITE	GREY	TAN	BLACK	MARBLE
Frontier Deck Drain *	SDDW	SDDG	SDDT	SDDB	SDDM
Top Cap Only	SDD-TCW-80	SDD-TCG-80	SDD-TCT-80	SDD-TCB-80	SDD-TCM-80
Base Only	BASE				

\* Maximum Flow Rate: 9.3 gal. per minute per foot.

DESCRIPTION	PART #	
Drain Dowels (24 per carton) – Needed for 80'	DOW-24	See page 37

# TREADMASTER COMMERCIAL

## Aluminum Top Drain

Treadmaster Commercial Deck Drain is a removable top drain that features an Aluminum top. This product also features a double-wall base and a snap-in top. When installing this drain the tops are staggered past the joints making the joints very rigid. Because the Aluminum tops are removable, this drain is easy to clean and the tops can be replaced if ever damaged. Treadmaster Commercial is used on many commercial swimming pools, fitness centers and other pedestrian traffic areas.

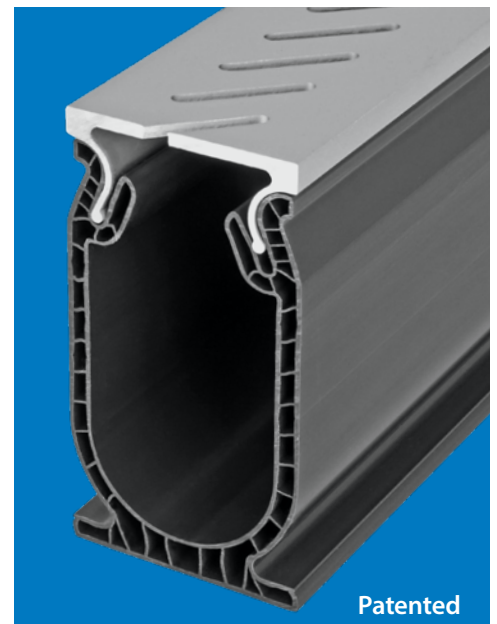
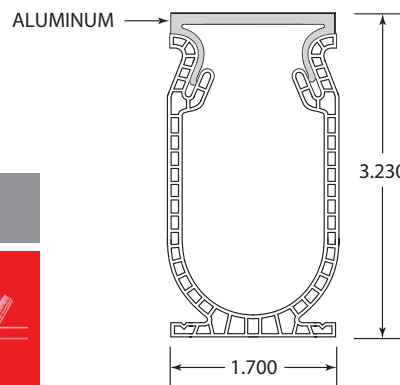
**CARTON INCLUDES:**

- 1 10' ALUMINUM TOP CAP
- 1 10' BASE
- 1 COUPLER

A full range of fittings are available.

THIS DRAIN IS PACKAGED IN 10' LENGTHS WITH PROTECTIVE TAPE ON THE TOP SURFACE.

**!** This drain is not designed to be used as a full expansion. Stegmeier LLC requires that a Drain Dowel be placed every 36", midway in the drain to prevent damage due to concrete deck movement.

Patented

DESCRIPTION	CLEAR	ALMOND	WHITE	BRONZE	COPPER
TREADMASTER *	ALD-C	ALD-A	ALD-W	ALD-BZ	ALD-LC
TOP CAP ONLY	ALD-C-NB	ALD-A-NB	ALD-W-NB	ALD-BZ-NB	ALD-LC-NB
BASE ONLY **	BASE				

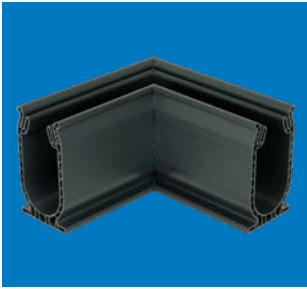
\* Maximum Flow Rate: 9.3 gal. per minute per foot. \*\* PACKAGED 80' PER CTN

**Aluminum top drains are recommended in high temperature surface areas or excessive reflective surface areas around windows, doors, etc.**

DESCRIPTION	PART #	
Drain Dowels (12 per carton)	DOW-12	See page 37

# FRONTIER DECK DRAIN / TREADMASTER COMMERCIAL FITTINGS

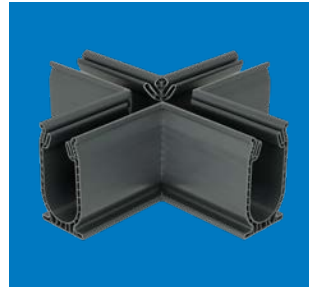
## 90 DEGREE ANGLES



Non-directional 90 degree angle to be used with Frontier Deck Drain or Treadmaster Commercial Drain.

DESCRIPTION	PART #
90 Degree Angle	SDD90

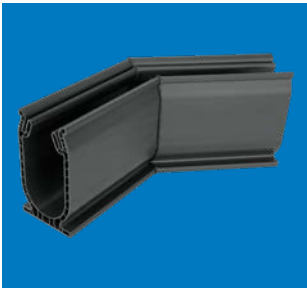
## CROSSES



Cross to be used with Frontier Deck Drain or Treadmaster Commercial Drain.

DESCRIPTION	PART #
Cross	SDD-XW

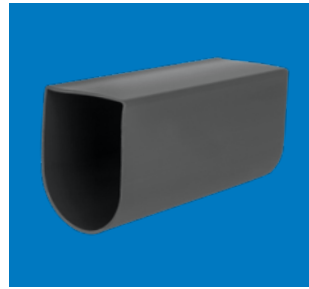
## 45 DEGREE ANGLES



Non-directional 45 degree angle to be used with Frontier Deck Drain or Treadmaster Commercial Drain.

DESCRIPTION	PART #
45 Degree Angle	SDD45

## UNIVERSAL COUPLER



To be used with Channel Drain, Frontier Deck Drain, Deck Drain and Treadmaster Commercial.

DESCRIPTION	PART #
Coupler	DCUP

## DOWN ADAPTER



Down Adapter to be used with Frontier Deck Drain or Treadmaster Commercial Drain. Outlet is 1 1/2" schedule 40 pipe.

DESCRIPTION	PART #
Down Adapter	SDD-DA

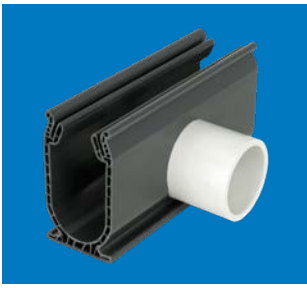
## UNIVERSAL END ADAPTER



End Adapter to be used with Channel Drain, Frontier Deck Drain, Deck Drain and Treadmaster Commercial. Outlet is 1 1/2" schedule 40 pipe.

DESCRIPTION	PART #
End Adapter	DEA

## SIDE ADAPTER



Side Adapter to be used with Frontier Deck Drain or Treadmaster Commercial Drain. Outlet is 1 1/2" schedule 40 pipe.

DESCRIPTION	PART #
Side Adapter	SDD-SA

## UNIVERSAL END PLUG



End Plug to be used with Channel Drain, Frontier Deck Drain, Deck Drain and Treadmaster Commercial.

DESCRIPTION	PART #
End Plug	DEP

## TEE



Tee to be used with Frontier Deck Drain or Treadmaster Commercial Drain.

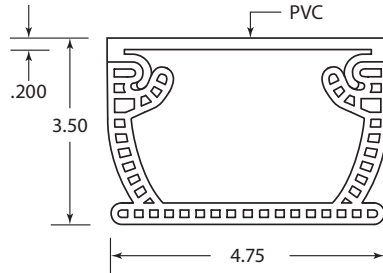
DESCRIPTION	PART #
Tee	SDD-TW

# FLOWMASTER COMMERCIAL DECK DRAIN

Flowmaster Commercial is a 4.75" removable top drain that features a double wall base and a snap in top (PVC). When installing this drain the tops are staggered past the joints making the joints very rigid. Because the Flowmaster Commercial Deck Drain tops are removable, this drain is easy to clean and the tops can be replaced if ever damaged. Flowmaster Commercial Deck Drain is used on many commercial swimming pools, patios and other areas where large amounts of water need to be removed.

- CARTON INCLUDES:**
- 4 10' BASE
  - 4 10' TOP CAP
  - 4 COUPLERS

A full range of fittings are available.



**!** This drain is not designed to be used as a full expansion. Stegmeier LLC requires that a Drain Dowel be placed every 36", midway in the drain to prevent damage due to concrete deck movement.



**THIS DRAIN IS PACKAGED 40' PER CARTON**



Patented

DESCRIPTION	WHITE	GREY	TAN
Flowmaster *	FMW	FMG	FMT
Top Cap Only	FM-TCW	FM-TCG	FM-TCT
Base Only	FM-BASE		

\* Maximum Flow Rate: 83.0 gal. per minute per foot.

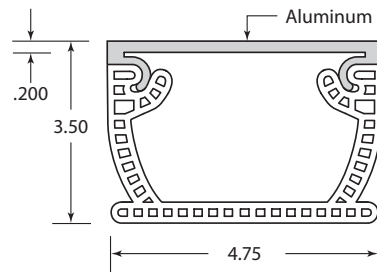
DESCRIPTION	PART #	
Drain Dowels (12 per carton) – Needed for 40'	DOW-12	See page 37

# FLOWMASTER A/T

Flowmaster A/T's wide design is ideal for commercial use or other applications that require a durable drain able to remove large quantities of surface water. Flowmaster A/T features a snap-on, removable cap for easy cleaning and secure foot for easy installation. It also comes in workable 10 foot lengths with five "aluminum" finishes to choose from.

- CARTON INCLUDES:**
- 1 10' BASE
  - 1 10' TOP CAP
  - 1 COUPLER

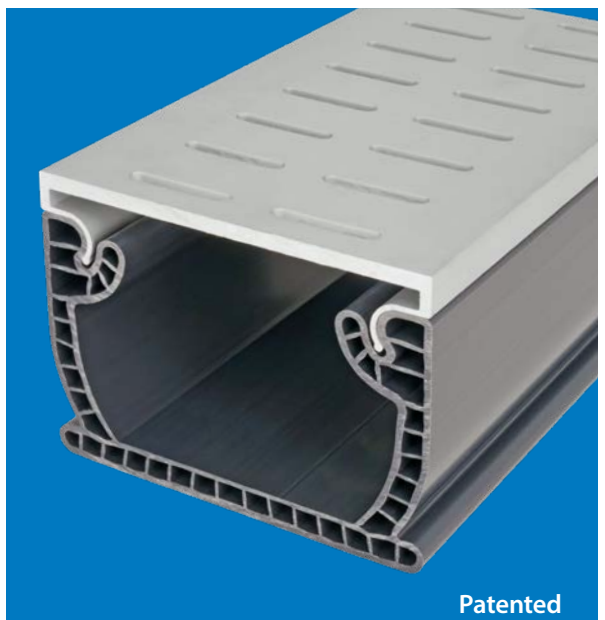
A full range of fittings are available.



**!** This drain is not designed to be used as a full expansion. Stegmeier LLC requires that a Drain Dowel be placed every 36", midway in the drain to prevent damage due to concrete deck movement.



**Aluminum top drains are recommended in high temperature surface areas or excessive reflective surface areas around windows, doors, etc.**



Patented

DESCRIPTION	CLEAR	ALMOND	WHITE	BRONZE	COPPER
Flowmaster A/T *	FLO-AT 4.5 C	FLO-AT 4.5 A	FLO-AT 4.5 W	FLO-AT 4.5 BZ	FLO-AT 4.5 LC
Top Cap Only	FLO-AT 4.5 C-NB	FLO-AT 4.5 A-NB	FLO-AT 4.5 W-NB	FLO-AT 4.5 BZ-NB	FLO-AT 4.5 LC-NB
Base Only **	FM-BASE				

\* Maximum Flow Rate: 83.0 gal. per minute per foot. \*\* PACKAGED 40' PER CTN

DESCRIPTION	PART #	
Drain Dowels (12 per carton)	DOW-12	See page 37

# FLOWMASTER COMMERCIAL / FLOWMASTER A/T DRAIN FITTINGS

## 90 DEGREE ANGLES



Non-directional 90 degree angle to be used with Flowmaster Commercial Drain or Flowmaster A/T Drain.

DESCRIPTION	PART #
90 Degree Angle	FM90

## DRAIN TEE



Tee to be used with Flowmaster Commercial Drain or Flowmaster A/T Drain.

DESCRIPTION	PART #
Tee	FMTW

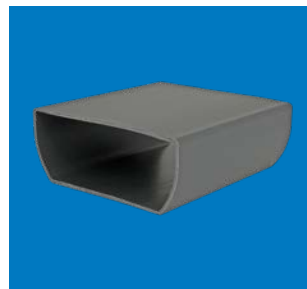
## 45 DEGREE ANGLES



Non-directional 45 degree angle to be used with Flowmaster Commercial Drain or Flowmaster A/T Drain.

DESCRIPTION	PART #
45 Degree Angle	FM45

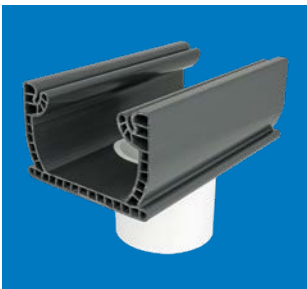
## DRAIN COUPLER



Coupler to be used with Flowmaster Commercial Drain or Flowmaster A/T Drain.

DESCRIPTION	PART #
Coupler	FMDCUP

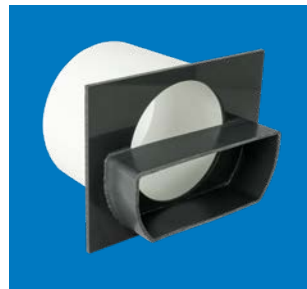
## DOWN ADAPTER



Down Adapter to be used with Flowmaster Commercial Drain or Flowmaster A/T Drain. Outlet is 3" schedule 40 pipe.

DESCRIPTION	PART #
Down Adapter	FMDA

## DRAIN END ADAPTER



End Adapter to be used with Flowmaster Commercial Drain or Flowmaster A/T Drain. Outlet is 3" schedule 40 pipe.

DESCRIPTION	PART #
End Adapter	FMDEA

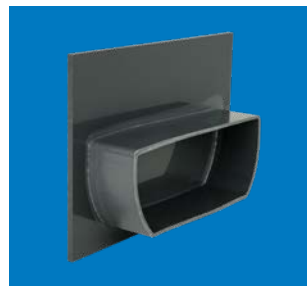
## SIDE ADAPTER



Side Adapter to be used with Flowmaster Commercial Drain or Flowmaster A/T Drain. Outlet is 2" schedule 40 pipe.

DESCRIPTION	PART #
Side Adapter	FMSA

## DRAIN END PLUG



End Plug to be used with Flowmaster Commercial Drain or Flowmaster A/T Drain.

DESCRIPTION	PART #
End Plug	FMDEP

# FLOWMASTER 3 COMMERCIAL DECK DRAIN

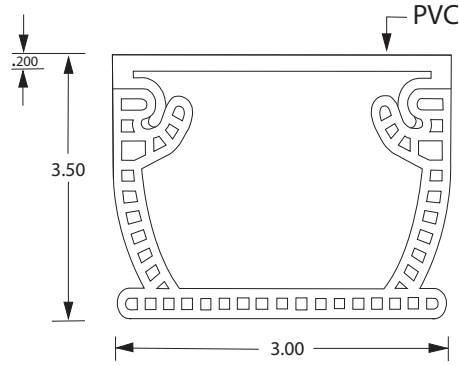
Flowmaster 3 Commercial is a 3" removable top drain that features a double wall base and a snap in top (PVC). When installing this drain the tops are staggered past the joints making the joints very rigid. Because the Flowmaster 3 Commercial Deck Drain tops are removable, this drain is easy to clean and the tops can be replaced if necessary. Flowmaster 3 Commercial Deck Drain is used on many commercial swimming pools, patios and other areas where large amounts of water need to be removed.



Patented

THIS DRAIN IS PACKAGED  
40' PER CARTON

**!** This drain is not designed to be used as a full expansion. Stegmeier LLC requires that a Drain Dowel be placed every 36", midway in the drain to prevent damage due to concrete deck movement.



**CARTON INCLUDES:**

- 4 10' BASE
- 4 10' TOP CAP
- 4 COUPLERS

A full range of fittings are available.

DESCRIPTION	WHITE	GREY	TAN
Flowmaster 3 *	FM3W	FM3G	FM3T
Top Cap Only	FM3-TCW	FM3-TCG	FM3-TCT
Base Only	FM3-BASE		

\* Maximum Flow Rate: 44.6 gal. per minute per foot.

DESCRIPTION	PART #	
Drain Dowels (12 per carton) – Needed for 40'	DOW-12	See page 37

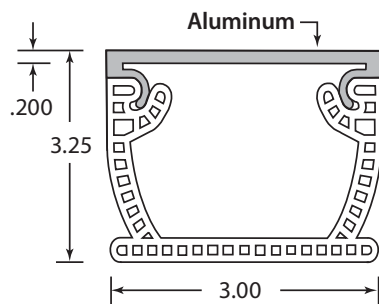
# FLOWMASTER 3 A/T DECK DRAIN

Flowmaster 3 A/T is a 3" removable top drain that features a double wall base and a snap in top (Aluminum). When installing this drain the tops are staggered past the joints making the joints very rigid. Because the Flowmaster 3 A/T Deck Drain tops are removable, this drain is easy to clean and the tops can be replaced if necessary. Flowmaster 3 A/T Deck Drain is used on many commercial swimming pools, patios and other areas where large amounts of water need to be removed.



Patented

**!** This drain is not designed to be used as a full expansion. Stegmeier LLC requires that a Drain Dowel be placed every 36", midway in the drain to prevent damage due to concrete deck movement.



**CARTON INCLUDES:**

- 1 10' BASE
- 1 10' ALUMINUM TOP CAP
- 1 COUPLER

A full range of fittings are available.

DESCRIPTION	CLEAR	ALMOND	WHITE	BRONZE	COPPER
Flowmaster 3 A/T *	FLO-AT3C	FLO-AT3A	FLO-AT3W	FLO-AT3BZ	FLO-AT3LC
Top Cap Only	FLO-AT3C-NB	FLO-AT3A-NB	FLO-AT3W-NB	FLO-AT3BZ-NB	FLO-AT3LC-NB
Base Only **	FM3-BASE				

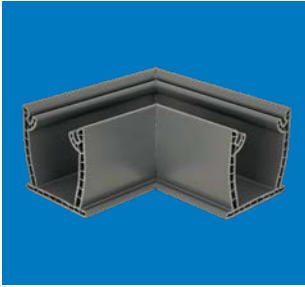
\* Maximum Flow Rate: 44.6 gal. per minute per foot. \*\* PACKAGED 40 FT. PER CTN

Aluminum top drains are recommended in high temperature surface areas or excessive reflective surface areas around windows, doors, etc.

DESCRIPTION	PART #	
Drain Dowels (12 per carton)	DOW-12	See page 37

# FLOWMASTER 3 COMMERCIAL / FLOWMASTER 3 A/T DRAIN FITTINGS

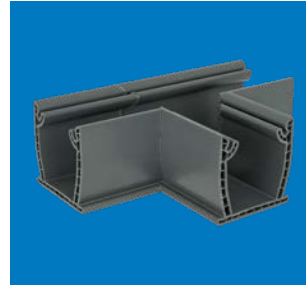
## 90 DEGREE ANGLES



Non-directional 90 degree angle to be used with Flowmaster 3 Commercial Drain or Flowmaster 3 A/T Drain.

DESCRIPTION	PART #
90 Degree Angle	FM390

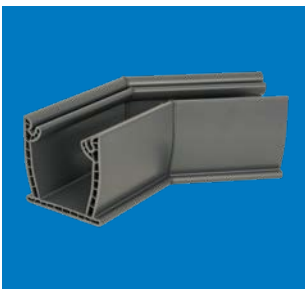
## DRAIN TEE



Tee to be used with Flowmaster 3 Commercial Drain or Flowmaster 3 A/T Drain.

DESCRIPTION	PART #
Tee	FM3TW

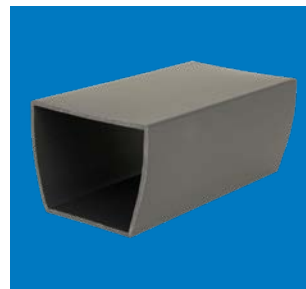
## 45 DEGREE ANGLES



Non-directional 45 degree angle to be used with Flowmaster 3 Commercial Drain or Flowmaster 3 A/T Drain.

DESCRIPTION	PART #
45 Degree Angle	FM345

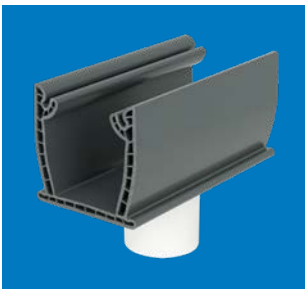
## DRAIN COUPLER



Coupler to be used with Flowmaster 3 Commercial Drain or Flowmaster 3 A/T Drain.

DESCRIPTION	PART #
Coupler	FM3DCUP

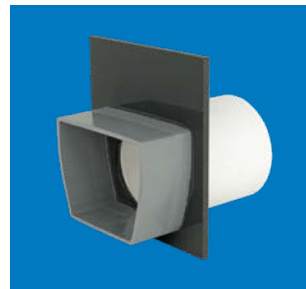
## DOWN ADAPTER



Down Adapter to be used with Flowmaster 3 Commercial Drain or Flowmaster 3 A/T Drain. Outlet is 1 1/2" schedule 40 pipe.

DESCRIPTION	PART #
Down Adapter	FM3DA

## DRAIN END ADAPTER



End Adapter to be used with Flowmaster 3 Commercial Drain or Flowmaster 3 A/T Drain. Outlet is 1 1/2" schedule 40 pipe.

DESCRIPTION	PART #
End Adapter	FM3DEA

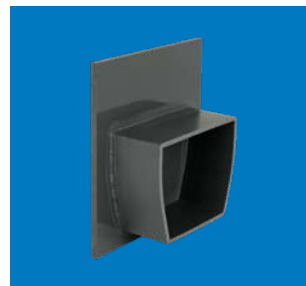
## SIDE ADAPTER



Side Adapter to be used with Flowmaster 3 Commercial Drain or Flowmaster 3 A/T Drain. Outlet is 1 1/2" schedule 40 pipe.

DESCRIPTION	PART #
Side Adapter	FM3SA

## DRAIN END PLUG



End Plug to be used with Flowmaster 3 Commercial Drain or Flowmaster 3 A/T Drain.

DESCRIPTION	PART #
End Plug	FM3DEP

## DRAIN DOWELS (Fiberglass)

Drain Dowels to be used with two-piece drains.

DESCRIPTION	PART #
Drain Dowels (12 per carton) – Needed for 40' of drain	DOW-12
Drain Dowels (24 per carton) – Needed for 80' of drain	DOW-24

CUT LENGTH  
12 INCHES



**NOTE: The use of proper "PPE" is required when handling fiberglass Drain Dowels.**

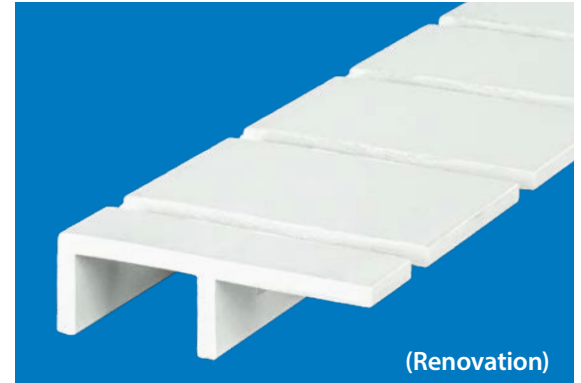
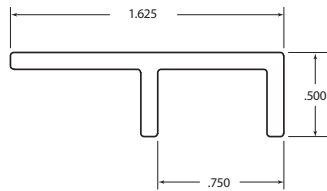
## RE-COVER DRAIN II

Designed to repair drains that are pinched due to deck movement.

Re-Cover Drain II is attached at one side only, allowing the drain cover to be successfully applied to drains that are distorted due to damage from deck movement. This "free floating" design makes this product adaptable to various drain widths.

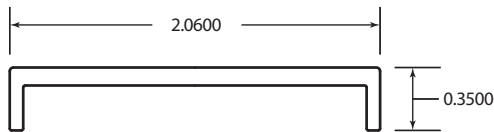
DESCRIPTION	PART #
White	RD2W-2
Grey	RD2G-2
Tan	RD2T-2

PACKAGED 80' PER CARTON  
IN 10' LENGTHS



## RE-COVER SUPER DRAIN

Designed to repair weathered or damaged Super Drain.



DESCRIPTION	PART #
White	RSD-W
Grey	RSD-G
Tan	RSD-T

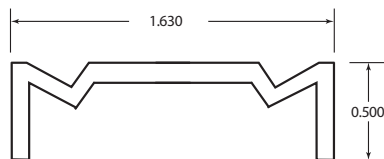
PACKAGED 80' PER CARTON  
IN 10' LENGTHS

**NOTE: Installation Tips and illustrations see RE-COVER DRAIN**



## RE-COVER CHANNEL DRAIN

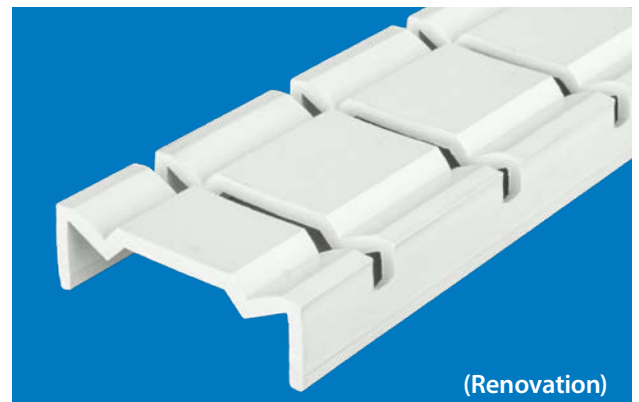
Designed to repair weathered or damaged Channel Drain.



DESCRIPTION	PART #
White	RCD-W
Grey	RCD-G
Tan	RCD-T
Black	RCD-B

PACKAGED 80' PER CARTON  
IN 10' LENGTHS

**NOTE: Installation Tips and illustrations see RE-COVER DRAIN**

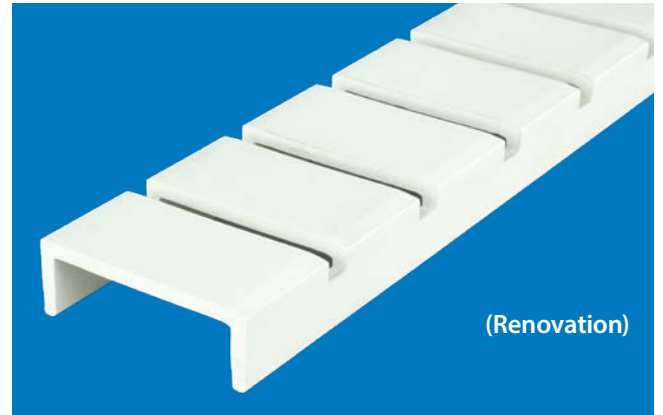
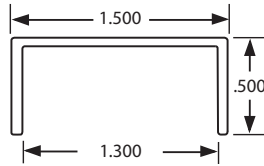


# RE-COVER DRAIN

## Replacement top used to repair damaged deck drain.

Re-Cover Drains are designed with continuous side-to-side slots, allowing water to enter from either side at the original elevation. This important feature prevents ponding and subsequent freeze and thaw damage.

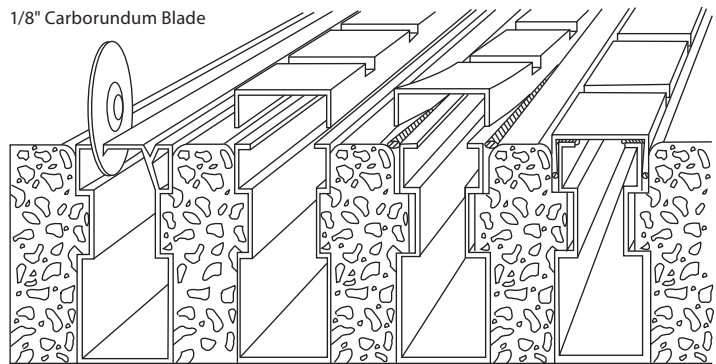
DESCRIPTION	PART #
White	RD2W
Grey	RD2G
Tan	RD2T
Black	RD2B



PACKAGED 80' PER CARTON IN 10' LENGTHS

### INSTALLATION TIPS

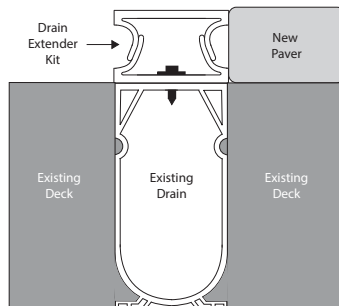
Using a 1/8" carborundum or diamond blade, make two parallel cuts removing the center of the damaged deck drain. Apply a continuous bead of silicone into the crack between the side walls of the existing drain and the concrete. Press the Re-Cover Drain into the silicone filled slot. Place a weight on top of the Re-Cover Drain to hold it securely in place until the silicone cures (if necessary).



# DRAIN EXTENDER KIT

## Drain Extender Kit is used when it is necessary to raise the elevation of an existing drain in preparation for the installation of Pavers or Overlays.

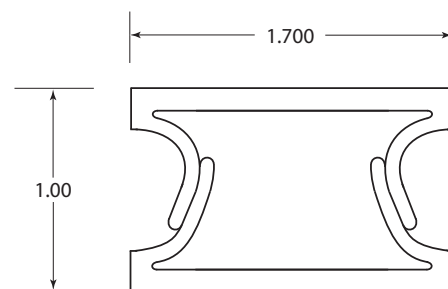
The Drain Extender Kit is used in many applications to increase the height of an existing drain. It is attached base clip first to an existing drain with the screws provided and the top is "snapped" into place. Both the top and bottom pieces of the Drain Extender Kit have slots in them to allow the water to pass through to the existing drain, leaving behind a beautiful new drain.



DESCRIPTION	PART #
White	DEK40W
Grey	DEK40G
Tan	DEK40T
Black	DEK40B

- CARTON INCLUDES:**
- 8 5' EXTENDER DRAIN
  - 48 BASE CLIPS
  - 48 SCREWS

PACKAGED 40' PER CARTON IN 5' LENGTHS

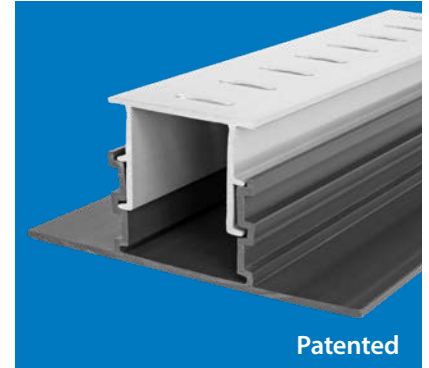
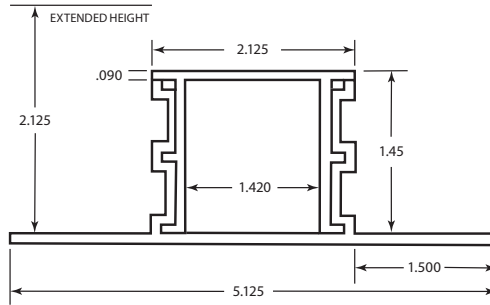




# ADJUSTABLE HEIGHT PAVER DRAIN

The Adjustable Height Paver Drain is a dual-elevation deck drain system used for the installation of paver decks. This unique design features a tray built into the base to set the pavers on.

A full range of fittings are available.



Patented

THIS DRAIN IS PACKAGED 80' PER CARTON

DESCRIPTION	WHITE	GREY	TAN	MARBLE
Adjustable Height Paver Drain *	PD2W	PD2G	PD2T	PD2M
Top Cap Only	PD-TCW-80	PD-TCG-80	PD-TCT-80	PD-TCM-80
Base Only *	PD-BASE			

\* Maximum Flow Rate  
5.8 gal - High  
3.7 gal - Low  
per minute per foot

**CARTON INCLUDES:**

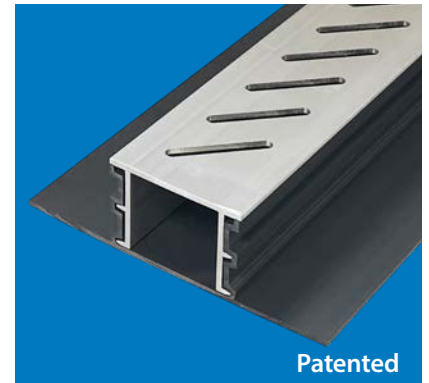
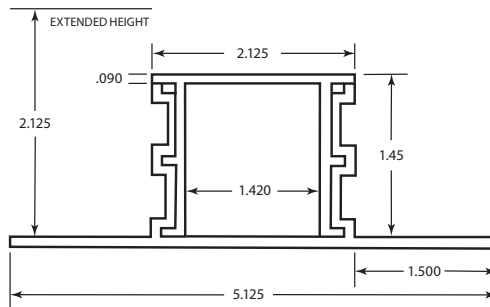
- 8 10' BASE
- 8 10' TOP CAPS
- 8 COUPLERS

Aluminum top drains are recommended in high temperature surface areas or excessive reflective surface areas around windows, doors, etc.

# PAVER DRAIN A/T

Paver Drain A/T is a dual-elevation deck drain system with an aluminum top cap used for installation of paver decks.

A full range of fittings are available.



Patented

DESCRIPTION	PART #
Clear *	PD-ATC
Clear (without base)	PD-ATC-NB

\* Maximum Flow Rate  
5.8 gal - High  
3.7 gal - Low  
per minute per foot

**CARTON INCLUDES:**

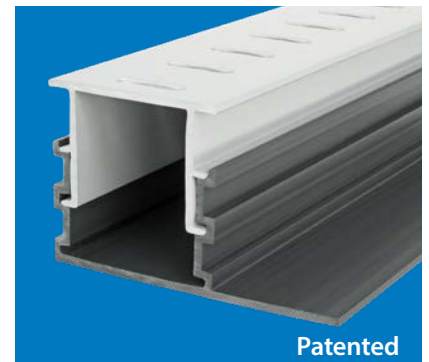
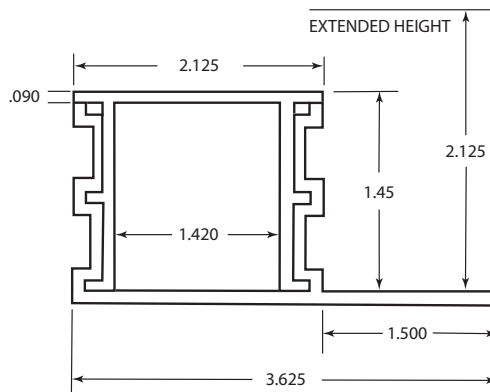
- 1 10' BASE
- 1 10' TOP CAP
- 1 COUPLER

Aluminum top drains are recommended in high temperature surface areas or excessive reflective surface areas around windows, doors, etc.

# FLUSH MOUNT PAVER DRAIN

The Flush Mount Paver Drain is a dual-elevation deck drain system used for the installation of paver decks. The bottom tray of the base section features a single flange design that allows this drain to set flush against a vertical surface such as a wall.

A full range of fittings are available.



Patented

DESCRIPTION	WHITE	GREY	TAN	MARBLE
Flush Mount Paver Drain *	FLMPD-W	FLMPD-G	FLMPD-T	FLMPD-M

\* Maximum Flow Rate  
5.8 gal - High  
3.7 gal - Low  
per minute per foot

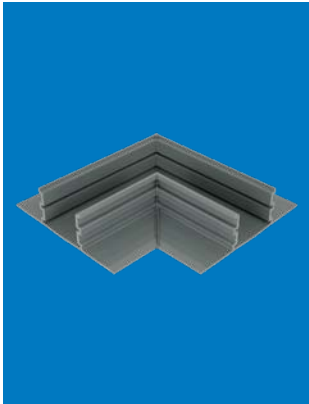
**CARTON INCLUDES:**

- 8 10' BASE
- 8 10' TOP CAPS
- 8 COUPLERS

Aluminum top drains are recommended in high temperature surface areas or excessive reflective surface areas around windows, doors, etc.

# ADJUSTABLE HEIGHT PAVER DRAIN / PAVER DRAIN A/T / FLUSH MOUNT PAVER DRAIN FITTINGS

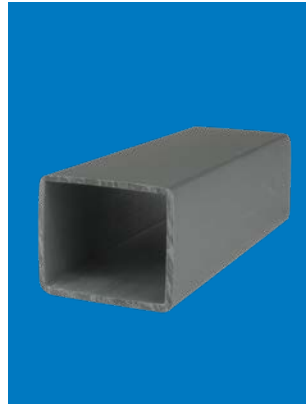
## 90 DEGREE ANGLES



Non-directional 90 degree angle to be used with Adjustable Height Paver Drain and Paver Drain A/T.

DESCRIPTION	PART #
90 Degree Angle	PD90

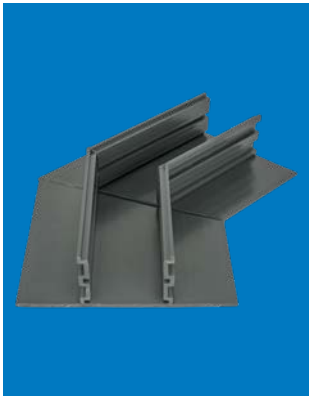
## DRAIN COUPLER



Drain Coupler to be used with Adjustable Height Paver Drain and Paver Drain A/T.

DESCRIPTION	PART #
Tee	PDDCUP

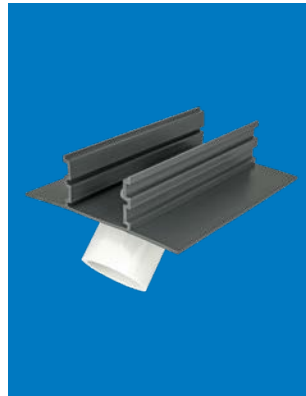
## 45 DEGREE ANGLES



Non-directional 45 degree angle to be use with Adjustable Height Paver Drain and Paver Drain A/T.

DESCRIPTION	PART #
45 Degree Angle	PD45

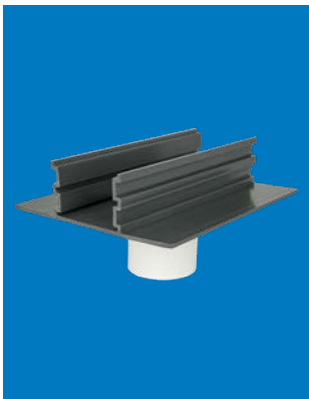
## DRAIN END ADAPTER



End Adapter to be used with Adjustable Height Paver Drain and Paver Drain A/T. Outlet is 1 1/2" schedule 40 pipe.

DESCRIPTION	PART #
Coupler	PDDEA

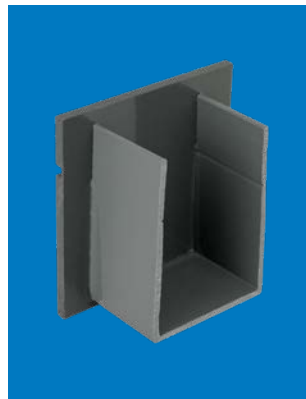
## DOWN ADAPTER



Down Adapter to be used with Adjustable Height Paver Drain and Paver Drain A/T. Outlet is 1 1/2" schedule 40 pipe.

DESCRIPTION	PART #
Down Adapter	PDDA

## DRAIN END PLUG



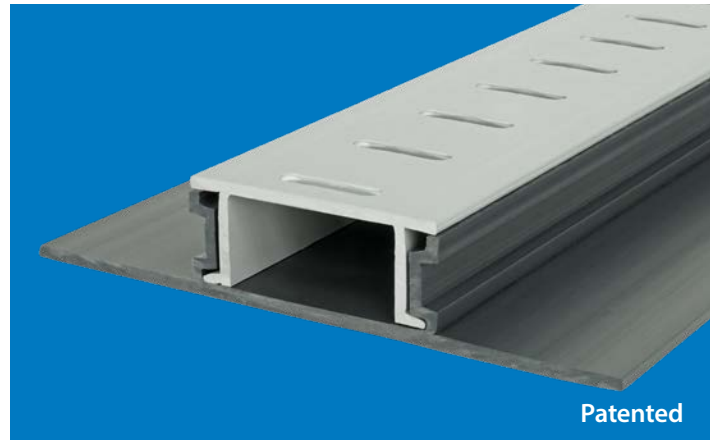
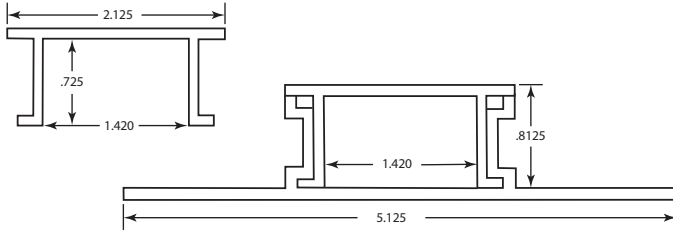
End Plug to be used with Adjustable Height Paver Drain and Paver Drain A/T.

DESCRIPTION	PART #
End Adapter	PDDEP

# MINI PAVER DRAIN

The Mini Paver Drain is designed to be used when 1" thick pavers are installed on an existing surface. The extended base goes under the surrounding pavers to ensure a stable installation.

A full range of fittings are available.



Patented

DESCRIPTION	WHITE	GREY	TAN	MARBLE
Mini Paver Drain *	MP2W	MP2G	MP2T	MP2M

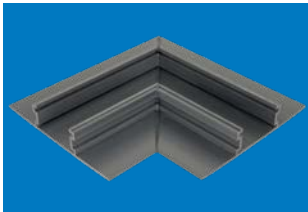
\* Maximum Flow Rate: 1.7 gal. per minute per foot.

#### CARTON INCLUDES:

- 8 10' BASE
- 8 COUPLERS
- 8 10' TOP CAPS

## MINI PAVER DRAIN FITTINGS

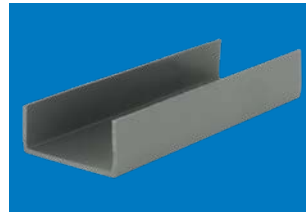
### 90 DEGREE ANGLES



Non-directional 90 degree angle to be used with Mini Paver Drain.

DESCRIPTION	PART #
90 Degree Angle	MP90

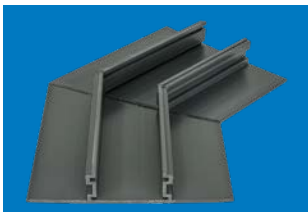
### DRAIN COUPLER



Drain Coupler to be used with Mini Paver Drain.

DESCRIPTION	PART #
Coupler	MPDCUP

### 45 DEGREE ANGLES



Non-directional 90 degree angle to be used with Mini Paver Drain.

DESCRIPTION	PART #
45 Degree Angle	MP45

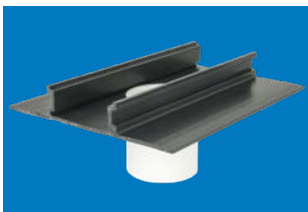
### DRAIN END ADAPTER



End Adapter to be used with Mini Paver Drain. Outlet is 1 1/2" schedule 40 pipe.

DESCRIPTION	PART #
End Adapter	MPDEA

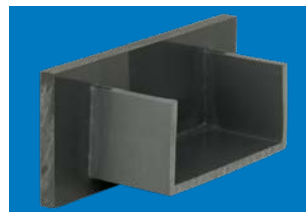
### DOWN ADAPTER



Down Adapter to be used with Mini Paver Drain. Outlet is 1 1/2" schedule 40 pipe.

DESCRIPTION	PART #
Down Adapter	MPDA

### DRAIN END PLUG



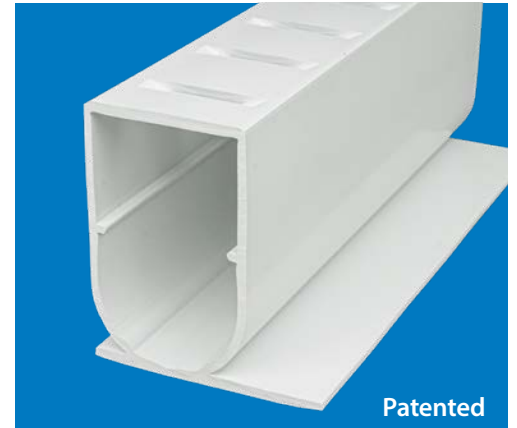
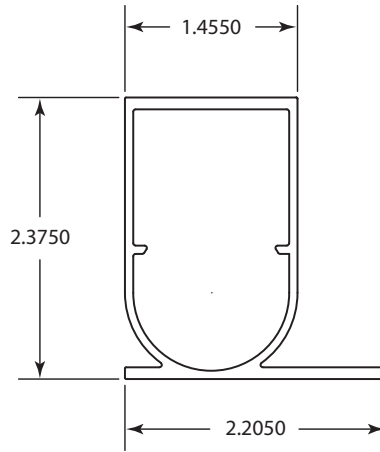
End Plug to be used with Mini Paver Drain.

DESCRIPTION	PART #
End Plug	MPDEP

# PAVER DRAIN PRO

Paver Drain Pro is a one-piece PVC extruded drain designed to provide surface water drainage on paver decks. This drain accommodates most 60mm or 2 3/8" pavers.

A full range of fittings are available.



#### CARTON INCLUDES:

- 8 10' PAVER DRAIN PRO
- 8 COUPLERS

DESCRIPTION	WHITE	GREY	TAN
Paver Drain Pro	PD-PRO-W	PD-PRO-G	PD-PRO-T

## PAVER DRAIN PRO FITTINGS

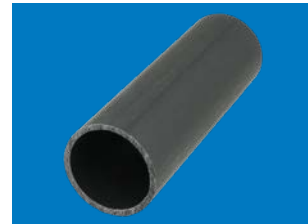
### 90 DEGREE ANGLES



Non-directional 90 degree angle to be used with Paver Drain Pro.

DESCRIPTION	PART #
90 Degree Angle	PD-PRO-90

### DRAIN COUPLER



Coupler to be used with Paver Drain Pro.

DESCRIPTION	PART #
Coupler	PD-PRO-CUP

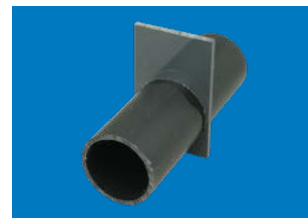
### 45 DEGREE ANGLES



Non-directional 45 degree angle to be used with Paver Drain Pro.

DESCRIPTION	PART #
45 Degree Angle	PD-PRO-45

### DRAIN END ADAPTER



End Adapter to be used with Paver Drain Pro. Outlet is 1" schedule 40 pipe.

DESCRIPTION	PART #
End Adapter	PD-PRO-EA

### DOWN ADAPTER



Down adapter to be used with Paver Drain Pro. Outlet is 1" schedule 40 pipe.

DESCRIPTION	PART #
Down Adapter	PD-PRO-DA

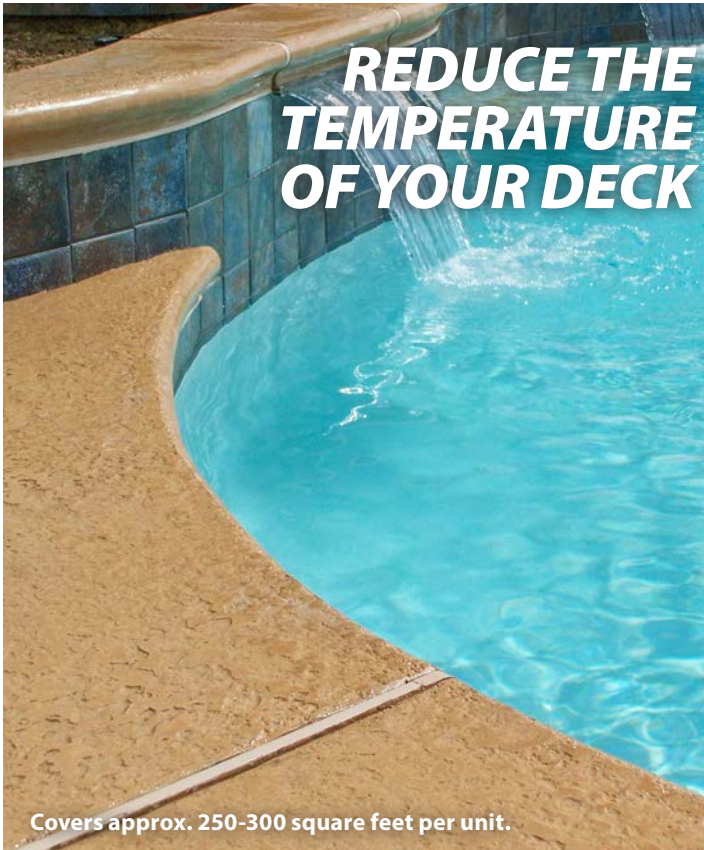
### DRAIN END PLUG



End Plug to be used with Paver Drain Pro.

DESCRIPTION	PART #
End Plug	PD-PRO-EP

## FRONTIER DESERT DECK



Frontier Desert Deck is an additive, available in 13 pastel colors that when mixed with marble sand and white cement and applied properly, produces a “Dash Finish” that is ideal for residential and commercial swimming pool decks.

### COOLNESS

Because of the pastel shades, texture and marble sand, Frontier Desert Deck is noticeably cooler than broom finish concrete.

### SAFETY

When applied properly, Frontier Desert Deck retains a non-skid quality even when wet.

DESCRIPTION	PART #
Lite Sand Buff	FD105C
Regular Sand Buff	FD110C
Dark Sand Buff	FD115C
Dove Grey	FD120C
Lite Dove Grey	FD125C
Aztec Gold	FD130C
Colorado Gold	FD135C
Coral Peach	FD140C
Buckskin	FD145C
Sun Yellow	FD150C
Rose Pink	FD155C
White	FD165C
Burly Wood	FD170C

**Packaged:** 8 units per carton

## FRONTIER BONDING AGENT

Frontier Bonding Agent is a three-stage bonding system used to apply cementitious toppings to existing concrete. The primary coat penetrates into the concrete leaving a completely insoluble membrane once the liquids have evaporated. The second coat is applied after the first coat has dried and effectively seals the surface of the concrete, protecting against uneven suction from the base concrete. The third coat **MUST** be applied to re-wet (or freshen) the surface just prior to applying the topping.

DESCRIPTION	PART #
1 Gallon	FRBA1
5 Gallon	FRBA5

**COVERAGE:**  
APPROX. 200 SQ. FT. PER GALLON ON FIRST COAT,  
300 SQ. FT. PER GALLON ON SECOND COAT



## FRONTIER DESERT SEAL

### Protects Concrete From Freeze/Thaw

**Frontier Desert Seal — a colorless, penetrating solution for concrete and Frontier Desert Deck surfaces.**

Frontier Desert Seal is a catalytic agent which reacts with free alkaline hydrates by internally producing an aero silica gel which fills the pore spaces and voids left by the evaporative loss of moisture. Frontier Desert Seal does not alter the surface's appearance or physical characteristics of Frontier Desert Deck, but will significantly protect concrete from damage caused by the freeze/thaw cycle.

DESCRIPTION	PART #
5 Gallon	DESEAL

**COVERAGE:**  
APPROX. 300-400 SQ. FT. PER GALLON



# DECK RENEW

## Restore deck surfaces to a like-new appearance

Deck Renew is available in 10 shades. This finish tends to retain the highlights in textured surfaces.

Many concrete decks and patios, although still structurally sound, are in need of a facelift. Deck Renew can restore these decks to a like-new appearance, avoiding the need for costly demolition and reconstruction.

Deck Renew is applied using two coats. The first coat soaks in, providing a positive bond while the second coat adds extra wearability.

DESCRIPTION	PART #
Lite Sand Buff	DR105P-5G
Regular Sand Buff	DR110P-5G
Dark Sand Buff	DR115P-5G
Dove Grey	DR120P-5G
Lite Dove Grey	DR125P-5G
Coral Peach	DR140P-5G
Buckskin	DR145P-5G
Golden Sand	DR160P-5G
White	DR165P-5G
Burly Wood	DR170P-5G



(Renovation)

### SPECIFICATIONS

**Coverage approximately:**  
150-200 square feet per gallon.

**Packaged:**  
1 5 gallon container

**Applicator:**  
Short to medium nap roller

**Clean-Up:**  
Warm soapy water

### TO PREPARE DECK

1. TSP Wash
2. Acid Wash
3. TSP Wash
4. Pressure Wash

# TOUCH-UP KIT

(Renovation)



## A repair for Frontier Desert Deck

Touch-Up Kits are easy to use pre-mixed patch kits designed for small repairs of Frontier Desert Deck.

Touch-Up Kits are made from quality materials in full batch quantities to provide consistent and dependable color matches for Frontier Desert Deck colors.

#### KIT INCLUDES:

- 4 LBS. PRE-MIX (APPROX./ COLORS VARY)
- 3 BOTTLES ADHESIVE
- 1 INSTRUCTION SHEET (ON LABEL)

Can be shipped UPS

COVERAGE: APPROXIMATELY 5 SQ. FT. PER KIT

DESCRIPTION	PART #
Lite Sand Buff	TU105BK
Regular Sand Buff	TU110BK
Dark Sand Buff	TU115BK
Dove Grey	TU120BK
Lite Dove Grey	TU125BK
Aztec Gold	TU130BK
Colorado Gold	TU135BK
Coral Peach	TU140BK
Buckskin	TU145BK
Sun Yellow	TU150BK
Rose Pink	TU155BK
Golden Sand	TU160BK
White	TU165BK
Burly Wood	TU170BK

As conditions and methods of use of our products are beyond our control, we offer these products in good faith but without guarantee either expressed or implied.

## DASH BRUSH

For application of Frontier Desert Deck

DESCRIPTION	PART #
12 Per Carton	TL001
4 Per Carton	TL001-4



## FRONTIER DESERT DECK WALKING TROWEL

This tool features a limber blade that is ideal for texturing Frontier Desert Deck. The texture is applied by lowering to the surface and applying a pulling motion. When attached to an extension handle, this tool extends the finishers reach up to 20 ft.

DESCRIPTION	PART #
18"	TL003
24"	TL004

PACKAGED 1 PER CARTON



## DUAL WALKING EDGER

This specialty tool edges the concrete on both sides of a control joint while wiping the top clean.

PART #	PACKAGED 1 PER CARTON
TL006	



# QUICK REFERENCE



CAPSTONE FORM



REGULAR FORM



DEEP REGULAR FORM



INTERMEDIATE FORM



COMMERCIAL FORM



SANDSTONE FORM



OG FORM



SQUARE EDGE FORM



CLIP-LOC CAPSTONE



CLIP-LOC INTERMEDIATE



CLIP-LOC REGULAR



6" REGULAR



6" CAPSTONE



TEXTURIT  
(Liner sold separately)



POOL COVER FORM II



DEEP RESIN ROCK



RESIN ROCK WITH 1" EXTENDER



POOL COVER FORM E



STAMP-A-FORM



POOL COVER FORM  
WITH 1-3/4" EXTENDER

## RENOVATION OR COUNTER TOP FORMS



CAPSTONE



REGULAR



DIAMOND CUT



OG



MARBLE ROUND



# QUICK REFERENCE



OG 600  
WALL CAP FORM



OG 400  
WALL CAP FORM



CAPSTONE 350  
WALL CAP FORM



REGULAR 360  
WALL CAP FORM



MINI CAP 300  
WALL CAP FORM



FRONTIER  
STEP LEDGER



ENCAPSULATED  
FORM ADAPTER



FOAM PROFILE  
EDGING TOOL  
CAPSTONE



FOAM PROFILE  
EDGING TOOL  
REGULAR



CAPSTONE  
STEP LINER



REGULAR  
STEP LINER



INTERMEDIATE  
STEP LINER



COMMERCIAL  
STEP LINER



SANDSTONE  
STEP LINER



SAFETY TREAD  
STEP LINER



CHILD SAFETY GRIP  
FORMING SYSTEM  
1 3/4" RADIUS TOOL

CHILD SAFETY GRIP  
FORM



CHAMFER CLIPS



S-CLIP



STAINLESS STEEL TROWEL



TILE LEDGER BOARD  
4"



POLI-VOID 1/4" OR 1/2" X 1 1/2"



POLI-VOID  
1/4" OR 1/2" X 3"  
1/4" OR 1/2" X 4"



JOINT SEALANT



FRONTIER DESERT DECK



TIE WIRE WITH WASHER



DRAIN DOWEL

# QUICK REFERENCE



CHILD SAFETY GRIP NOSE CAP



SANDSTONE NOSE CAP



REGULAR NOSE CAP



COMMERCIAL NOSE CAP



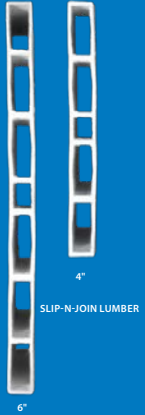
INTERMEDIATE NOSE CAP



CAPSTONE NOSE CAP



POOL COVER OR STAMP-A-FORM NOSE CAP



SLIP-N-JOIN LUMBER



RIGID HOLD  
(Joint sold separately)



RIGID DECK JOINT  
(Available in White, Tan, Grey and Black)

(White shown)



FRONTIER DECK JOINT  
(Available in White, Tan, Grey and Black)

(White shown)



PLUMB STRIP



LINER TRACK (PVC)



TILE STRIP



ALUMINUM LINER TRACK



DUAL ALUMINUM LINER TRACK



FILLER STRIP



RENOVATION TILE STRIP



RE-COVER DRAIN



RE-COVER DRAIN II



RE-COVER SUPER DRAIN



RE-COVER CHANNEL DRAIN



DECK DRAIN

(Available in White, Tan, Grey and Black)



CHANNEL DRAIN

(Available in White, Tan, Grey and Black)



FLEX TRACK



RE-COVER STRIP



RE-COVER STRIP II



FLOWMASTER A/T



FLOWMASTER A/T ALUMINUM TOP CAP

(Available in White, Bronze, Almond, Clear and Copper)

(Clear shown)



FLOWMASTER COMMERCIAL TOP CAP (PVC)

(Available in White, Tan and Grey)

(White shown)

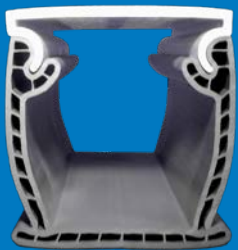


SUPER DRAIN

(Available in White, Tan and Grey)



FRONTIER DECK DRAIN



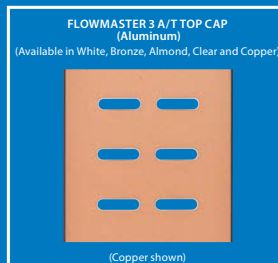
FLOWMASTER 3 COMMERCIAL



FLOWMASTER 3 COMMERCIAL TOP CAP (PVC)

(Available in White, Tan and Grey)

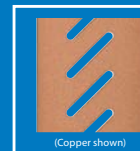
(Grey shown)



FLOWMASTER 3 A/T TOP CAP (Aluminum)

(Available in White, Bronze, Almond, Clear and Copper)

(Copper shown)



TREADMASTER COMMERCIAL TOP CAP (Aluminum)

(Available in White, Bronze, Almond, Clear and Copper)

(Copper shown)



FRONTIER DECK DRAIN TOP CAP (PVC)

(Available in White, Tan, Marble, Grey and Black)

(White shown)



PAVER DRAIN TOP CAPS (Aluminum and PVC)

FITS: Adjustable Height Paver Drain

(Aluminum-Clear shown)

(PVC-White shown)



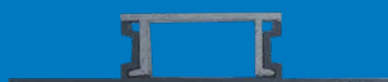
DRAIN EXTENDER KIT



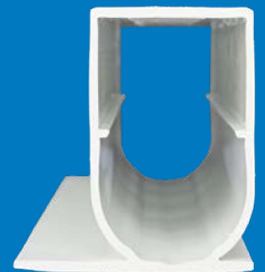
ADJUSTABLE HEIGHT PAVER DRAIN



FLUSH MOUNT PAVER DRAIN

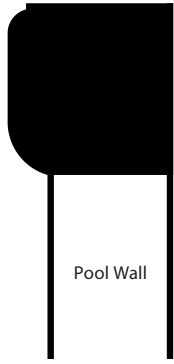


MINI PAVER DRAIN

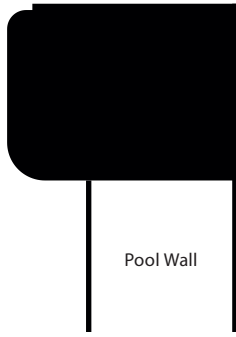


PAVER DRAIN PRO

# CANTILEVER PROFILE EXAMPLES



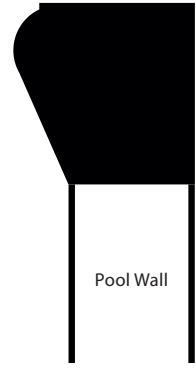
Regular



Deep Regular



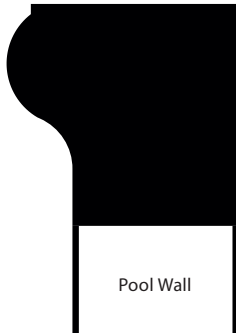
6" Regular



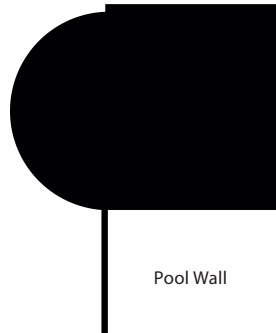
Capstone



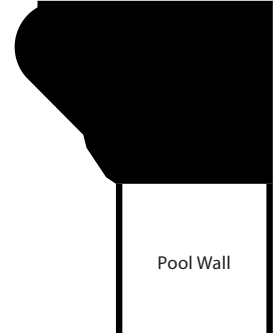
6" Capstone



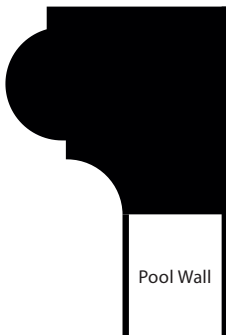
Intermediate



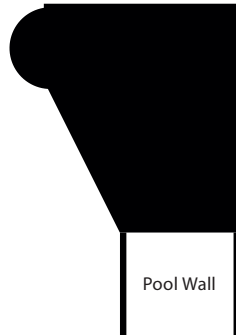
Sandstone



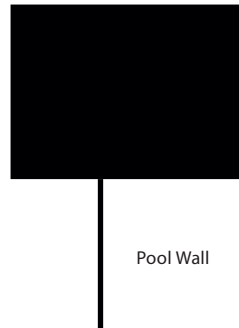
Commercial



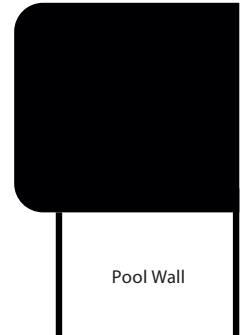
OG



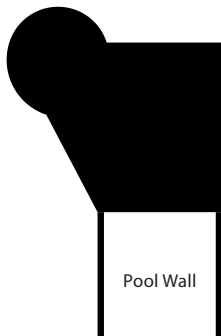
Classic Roman



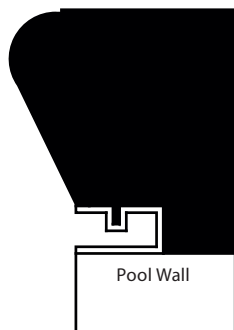
Stamp-A-Form



Texturit

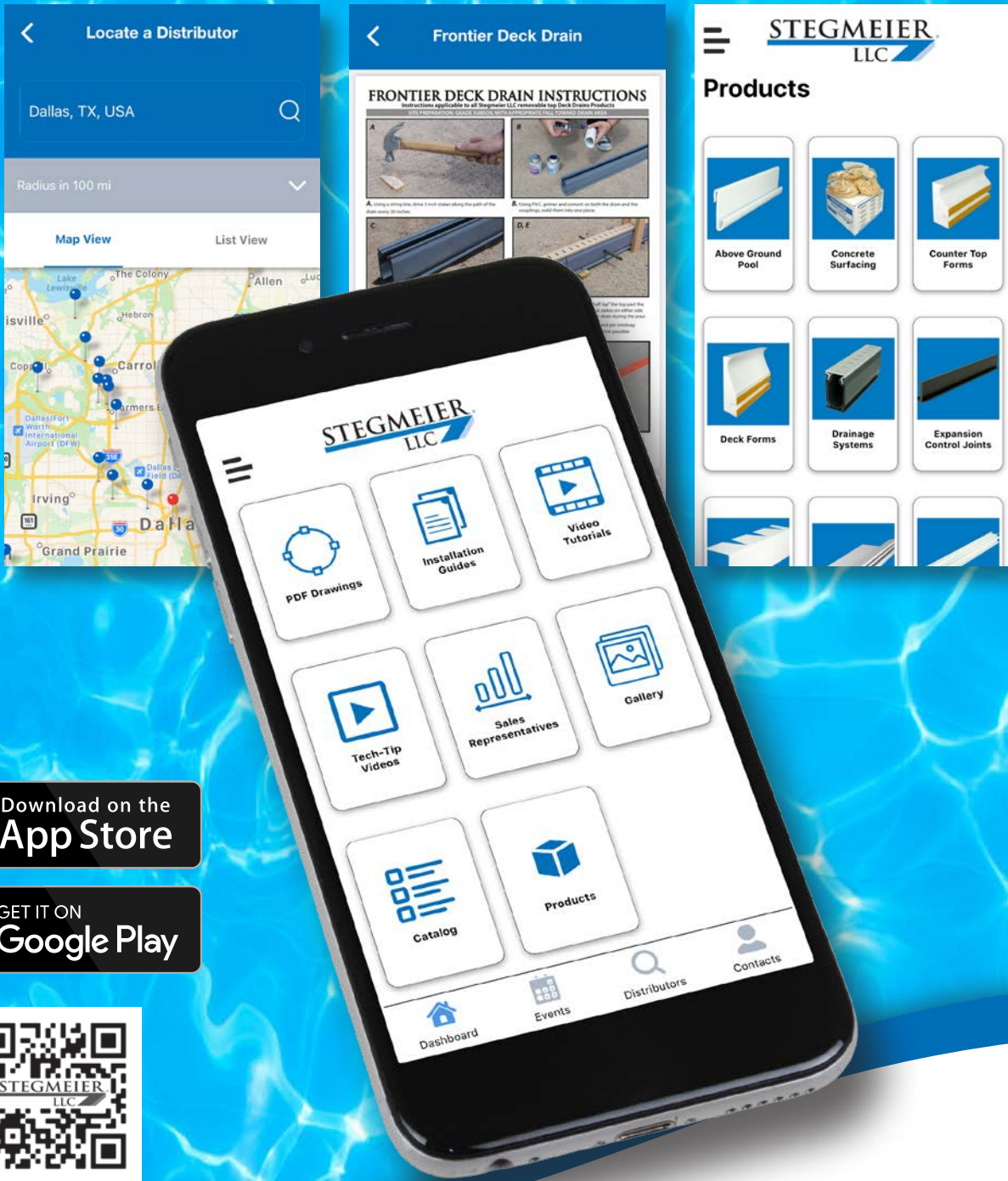


Child Safety Grip Form



Pool Cover Form E

# DOWNLOAD THE STEGMEIER LLC APP



 Download on the  
**App Store**

 GET IT ON  
**Google Play**



**STEGMEIER**  
LLC

[www.stegmeier.com](http://www.stegmeier.com)

• Toll-Free (800) 382-5430