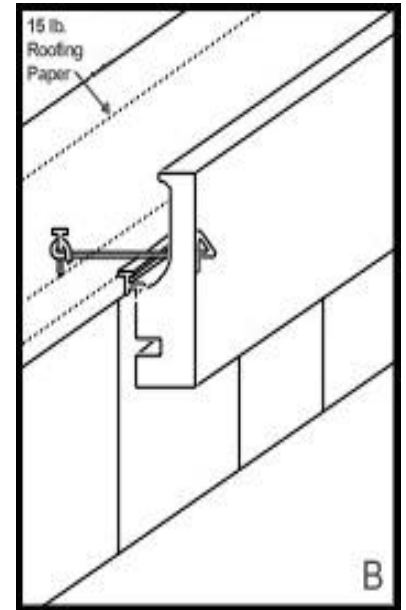
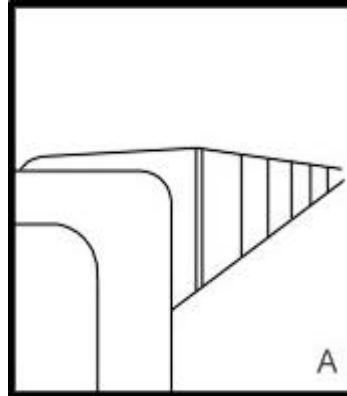


TIE WIRE SYSTEM

Installation Instructions

1. Tile Setting Requirements

- Tile must be set from the high point of the bond beam.
- The remainder of the bond beam must be leveled with the top of the tile.
- Scrape the top of the tile to clean away any debris which could cause the tile strip to fit unevenly Around the perimeter.



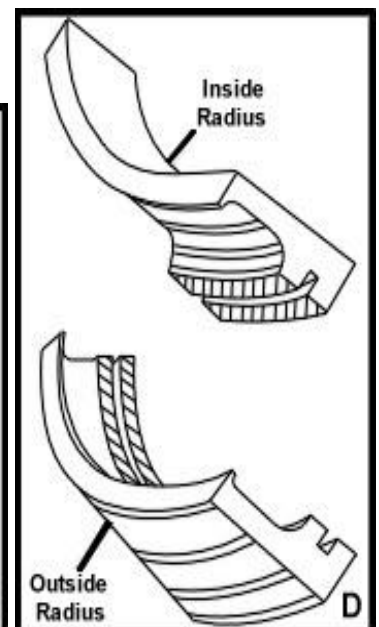
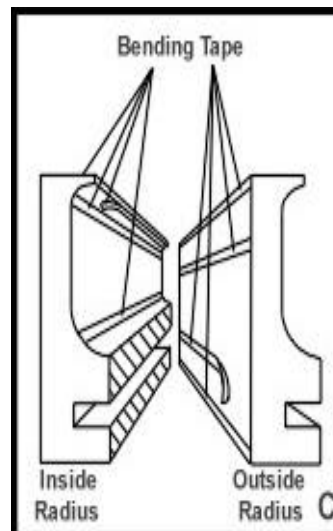
2. Setting the Form

- DO NOT set forms until the day of the pour.
- Tile MUST be dry and free of dust.
- Remove the brown paper from the double-faced tape.
- Stick forms to the tile, placing the lower radius even with the top of the tile. (See fig. E.)
- Sharp corners may be mitered with a sharp knife.
- Forms should be spaced using center portion for tight radii.

3. Pre-Bending the Form

It may be necessary to pre-bend the form on radii less than 48 inches.

- Place strips of bending tape on the form as shown in figure C. Be sure the tape is rubbed down tight for proper adhesion.
- Pre-bend the form across your knee before removing the paper from the double-faced tape. (See fig. D.)



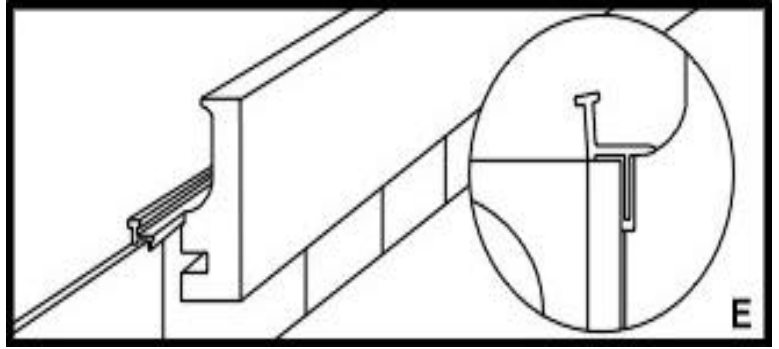
The Principle to Remember:

Bending tape is used to prevent the form from breaking on one side while allowing you to compress the other.

4. Placing the Tile Strip

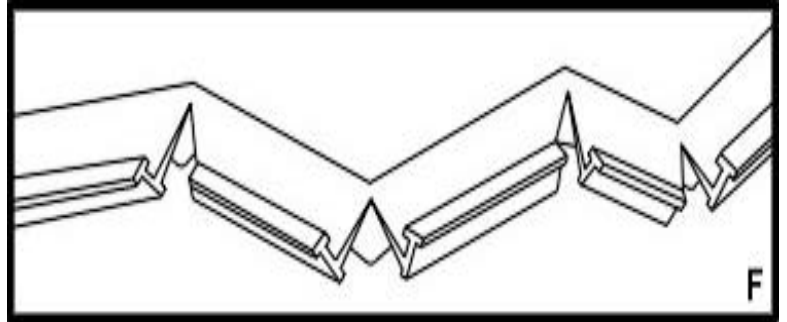
- Press tile strip into the slot provided between the tile and form. (See fig. E.)

Place # 15 LB roofing paper on top of the bond beam. This serves as an excellent cold joint material preventing adhesion between the top of the bond beam and the over-pour. (See Fig. B.)



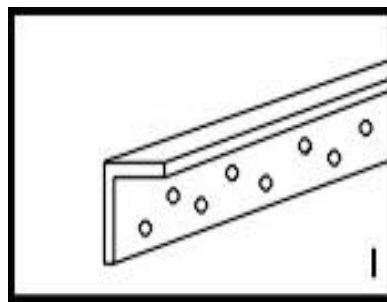
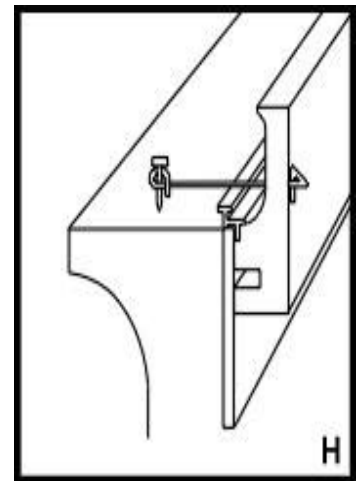
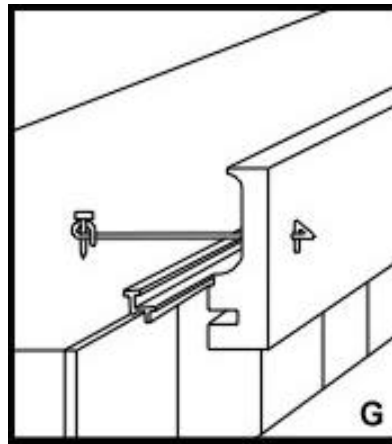
Helpful Hints to Remember

- On square corners and tight radii, it may be helpful to notch the back of the tile strip to allow for bending. (See fig. F.)
- Pruning shears are a useful tool for notching the tile strip.



5. Application of Tie Wires

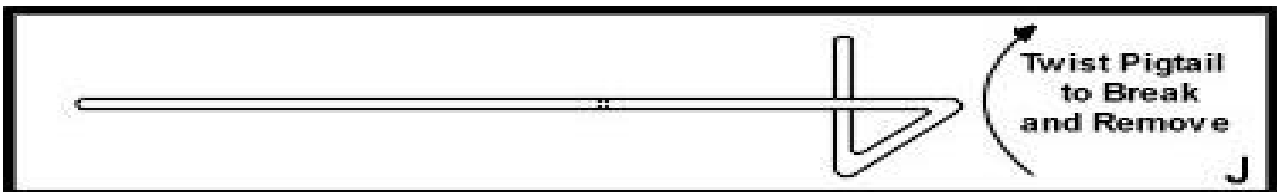
- Secure the form with tie-wires 14 inches on center, pushing the wire through the form. This technique braces the formwork to the tile, using the tile strip to apply a slightly upward pressure.
- Drive nails into the bond beam approximately 8 inches behind the tile. Secure tie-wires with a turn around the nail while applying slight pressure against the form. (See fig. G.)
- Secure the form, tile strip and tie-wires as you progress around the perimeter of the pool.
- DO NOT pre-grout the form.
- For ease of removal when stripping forms, pull E-Z Strip tapes. The continuous filament tape now allows the form to be removed in one section.
- To hold straight sections true, it may be helpful to use metal corner strips (plaster board corner bead). Push tie-wires through both the corner strip and form and secure to the concrete nail as described above. (See figs. H. and I.)



Handy Tip: Push tie wires through the form, from the face side first, this allows you to get correct elevation for the wires.

Please Note:

The aluminum tie wires have been prescored for your convenience. When removing the formwork, a Twist of the pigtail severs the tie-wire below the surface. (See fig. J.)



As conditions and methods of use of our products are beyond our control, we offer these products in good faith but without guarantee either expressed or implied.

For technical support, call (800) 382-5430 • www.stegmeier.com

DOWNLOAD THE STEGMEIER LLC APP

