

CLIP-LOC LINER FORM

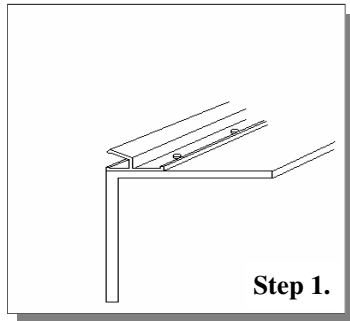
With Liner Lock Insert

Instruction Sheet

STEGMEIER LLC

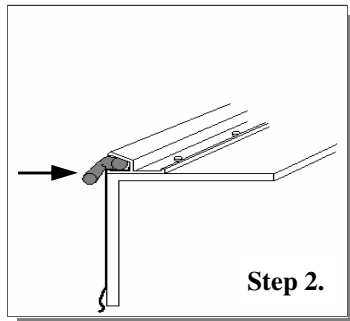
* For bending instructions, look inside box
* For technical support call 1 800 382-5430

Used when liner must be in place and pool filled with water before pouring concrete decking



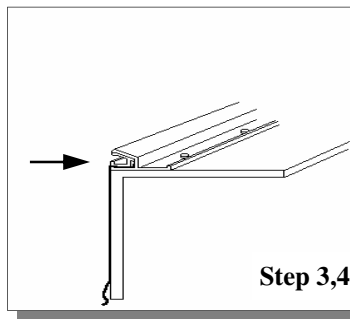
Step 1.

Step 1. Place the track on the wall (as shown in the picture), line the bottom of the track up with the wall. Use the self-tapping screws to fasten the track down. The screws should be driven every 14 inches



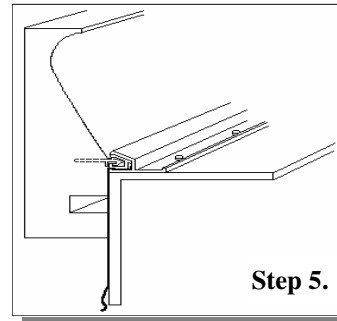
Step 2.

Step 2. Press a 4" piece of backer rod into the liner lock (leave 1" hanging out for easy removal) to hold the liner walls up. Start adding water to the pool.



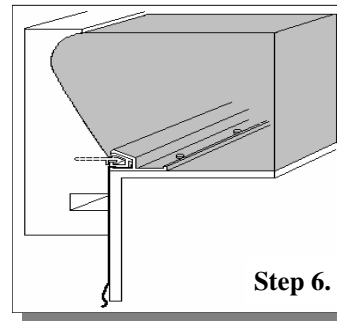
Step 3,4

Step 3. Once the liner is in place, start removing the backer rod pieces and inserting the 8 foot long pieces of liner lock insert.



Step 5.

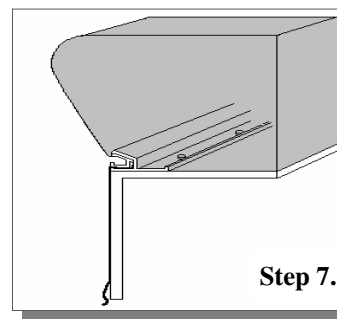
Step 4. With (orange) No-Gum tape, tape the liner right under the liner lock receiver. This will prevent a gum residue after the forms are removed.



Step 6.

Step 5. Peel the brown paper on the two-sided tape (one foot at a time). The clips have to be pressed (with the palm of your hand) on the back of the form until, you hear a "snap" sound. The form is now secure.

Step 6. While pouring, the forms need to be tapped repeatedly to release air bubbles. This will prevent honeycombing.



Step 7.

Step 7. Once the concrete is strong enough to support it's own weight the forms can be removed. To do this pull the form back and down, the clips will slide out of the track, exposing the face for the finish.