

Fiber-Optic Plumb Strip

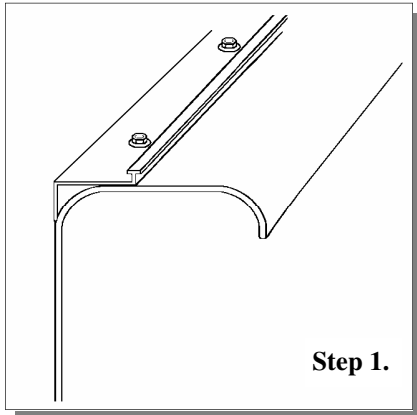
STEGMEIER
LLC

www.stegmeier.com

Plumb Strip can be used with: Fiber-Optic Regular and Fiber-Optic Capstone

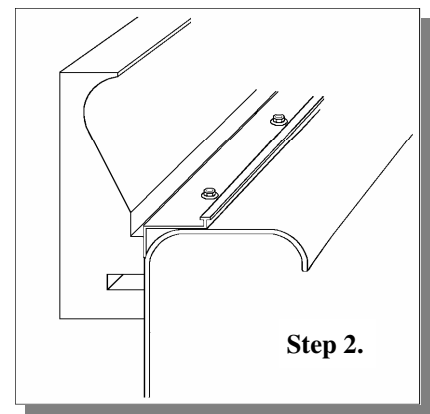
Carton will Include:

Forms, Fiber-Optic Plumb Strip, Fiber-Optic Receiver, (200) #10 x 3/4" Self Tapping Screws, (100) Tie Wires, (1) Roll of Bending Tape, Bending Instructions

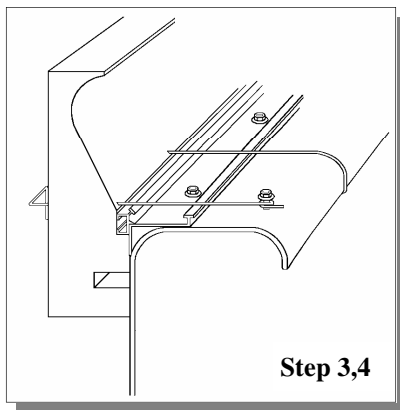


Step 1. Lay the plumb strip level on the edge of the wall. Use (100) screws to fasten down the strip. Fasten the strip down with self tapping screws every 8". Butt the strips up tightly as they will be showing after the job is complete.

Step 2. Peel the brown paper from the double-face tape, a little at a time, sticking the form to the plumb strip and side wall, with the lower edge of the form profile even with the top of the plumb strip.

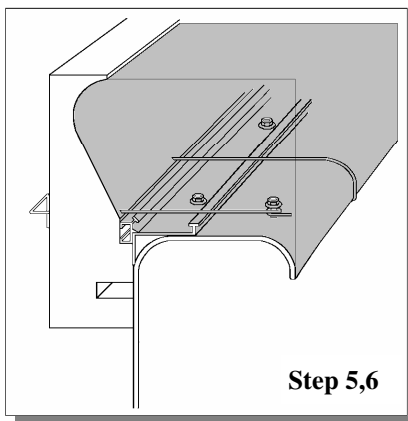


Step 3. Insert the fiber-optic receiver. Make sure to half-lap the receiver with the form. This will insure that the track will line up even.



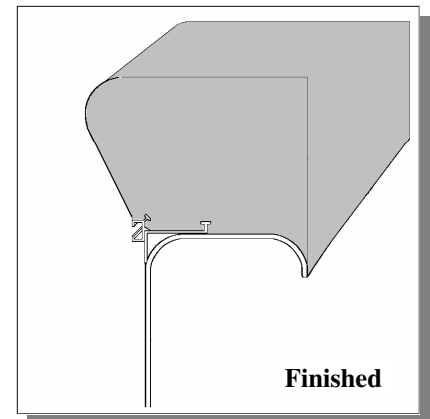
Note: The tie wires can be fastened one of two ways. They can be wrapped around the back lip of the wall or you can use the other (100) self tapping screws. To use the screws, just fasten them 4" behind the plumb strip (only half way down and wrap the tail of the tie wire around them).

Step 4. Push the tie wire through the form, even with the top of plumb strip. wrap the end of the tie wire around the back lip of the wall or screw, applying slight pressure.



Step 5. Tap or vibrate the form as you pour to help prevent honeycombs.

Step 6. When the concrete will support its own weight, remove the tie wires by twisting clockwise. Then, peel the form down and away.



As conditions and methods of use of our products are beyond our control, we offer these products in good faith but without guarantee either expressed or implied.