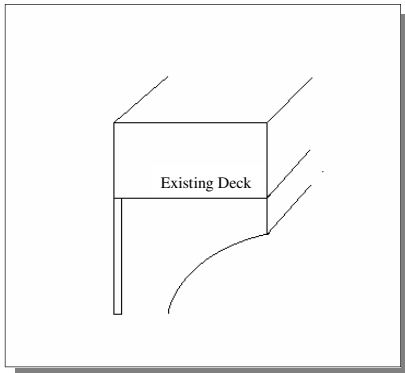


# Cantilever Form Instruction Sheet

STEGMEIER  
LLC

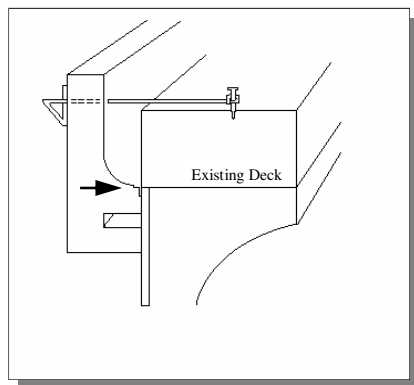
## RESIN ROCK



Step 1,2

**Step 1.** Wipe the tile down with a clean cloth to remove any moisture or dust.

**Step 2.** Peel the paper from the double-faced tape (one foot at a time). (Resin Rock) Stick the form to the tile with the bottom of the decorative profile edge level with the top of the tile. (Deep Resin Rock) Set the bottom of decorative profile edge 1/2" below the top of tile.

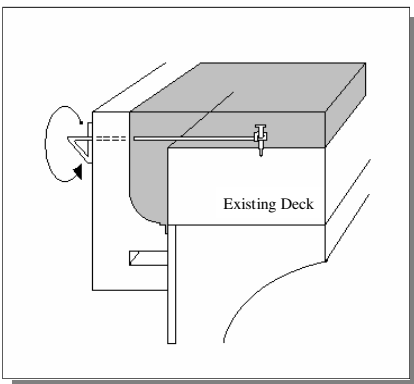


Step 3,4,

**Note.** During cold weather it may be necessary to warm the tile prior to sticking the form.

**Step 3.** Drive the concrete nails into the existing concrete 14" apart and 8" from the edge.

**Step 4.** Place the plastic washer (provided) on the tie wire. Push the tie wire through the form even with the top of the existing concrete. The tie wire should lay flush across the concrete (as shown in the picture). Grease the tie wires with petroleum jelly. Hold the form with slight pressure and tie the tail of the tie wire around the nail.

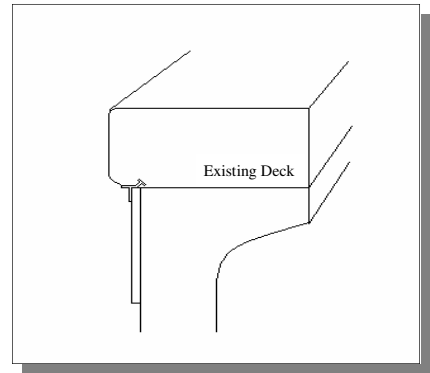


Step 5.

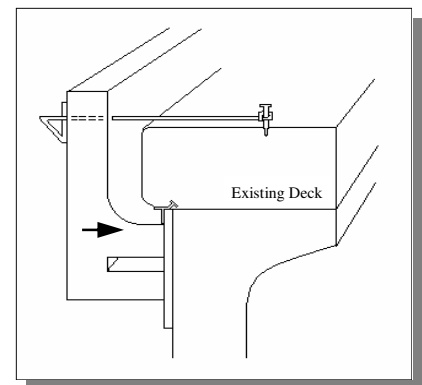
**Step 5.** Once the epoxy rock is strong enough to support its own weight, the forms can be removed. To remove the form, twist the tie wire head, it will break the tie wire. Pull the form away.

**Note:** The forms are lined for ease of stripping and smooth finish.

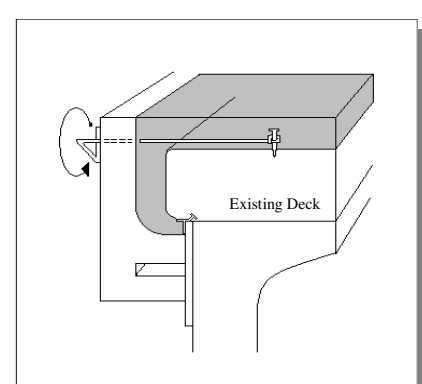
## DEEP RESIN ROCK



Step 1,2



Step 3,4,



Step 5.