

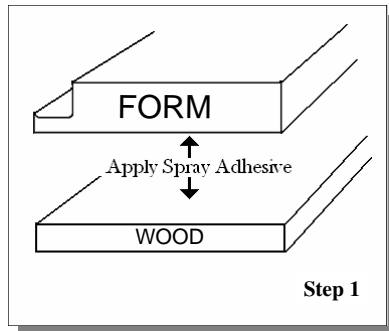
BACKSPLASH FORM

There are many different ways to install pour in place backsplash countertops. This is one of the fastest and easiest ways to install backsplashes.

STEGMEIER
LLC

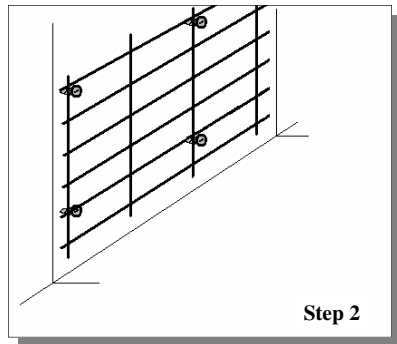
www.stegmeier.com

Instruction Sheet



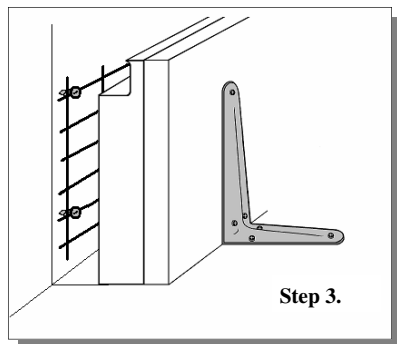
Step 1

Step 1. Apply spray adhesive to the wood (1"x 6") and the form. Line the bottom of the form up to the bottom of the wood.



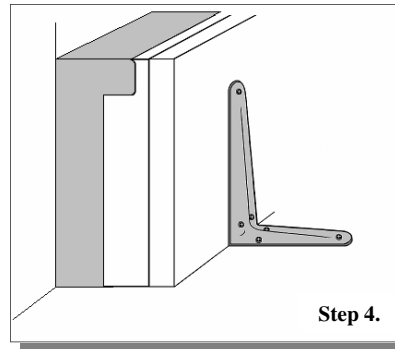
Step 2

Step 2. Drive woodscrews into wall where back splash will be poured. Leave 1/2" of screw exposed. Lay wire mesh on screws and tie mesh to the screws with wire.



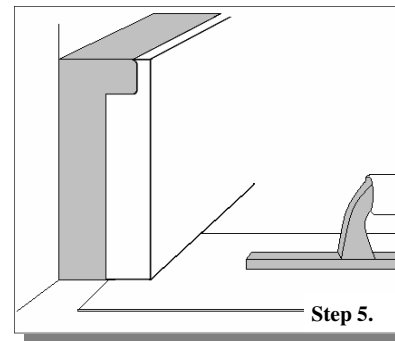
Step 3.

Step 3. Set the form and wood up and attach 6" shelf brackets to the back of the wood. Bring the form to the desired depth and drive wood screws into the bottom half of the shelf bracket.



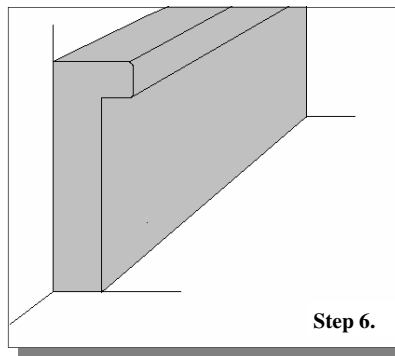
Step 4.

Step 4. While pouring, tap the forms to release air bubbles. This will help to prevent honeycombing.



Step 5.

Step 5. Once the concrete is strong enough to support it's own weight the forms can be removed. Remove the shelf brackets. Separate the form from the wood.



Step 6.

Step 6. Pull the form away to expose the face for the finish.

* Download the latest Stegmeier App, Available for IOS and Android

* For technical support call (800) 382-5430