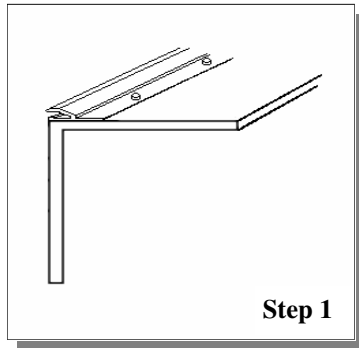


# CLIP-LOC FORM

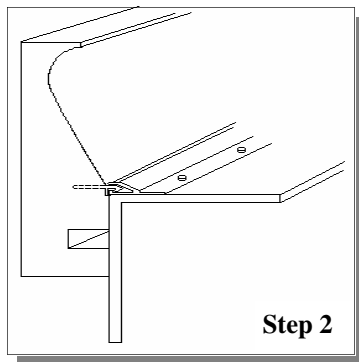
STEGMEIER<sup>®</sup>  
LLC

## Instruction Sheet

*Bending instructions located on app and website  
For technical support call (800) 382-5430*

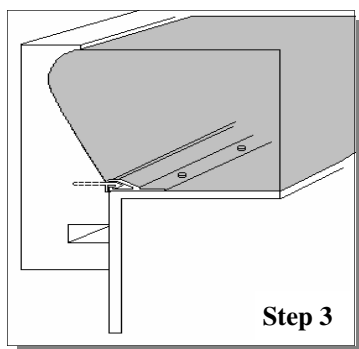


**Step 1.** Wipe the top and face of the pool wall with a clean cloth to remove any dirt or moisture. Place the track on the top of the pool wall as shown in the illustration. Line the bottom lip of the liner track flush with the face of the pool wall. Use the self-tapping screws provided to fasten the track down. It is important to have the track butted tightly together



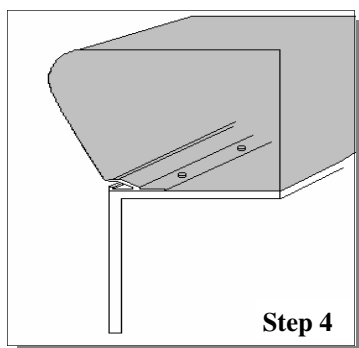
**Note :** During cold weather it may be necessary to heat the pool wall prior to sticking the form.

**Step 2.** Peel the paper on the double faced tape (one foot at a time). Align the rib of the form with the opening of the liner track and press on the back of the form until you hear the clip snap into place.



**Step 3.** While pouring tap the form to release air bubbles. This will help prevent honeycombing.

**Step 4.** When concrete is strong enough to support its own weight, forms can be removed. Pull form away to expose the face for finishing.



**Note:** Removing the forms one piece at a time will help keep the moisture in the concrete to allow adequate time to finish.

Capstone profile shown

DOWNLOAD THE LATEST STEGMEIER APP, AVAILABLE FOR IOS AND ANDROID

As conditions and methods of use of our products are beyond our control, we offer these products in good faith but without guarantee either expressed or implied.