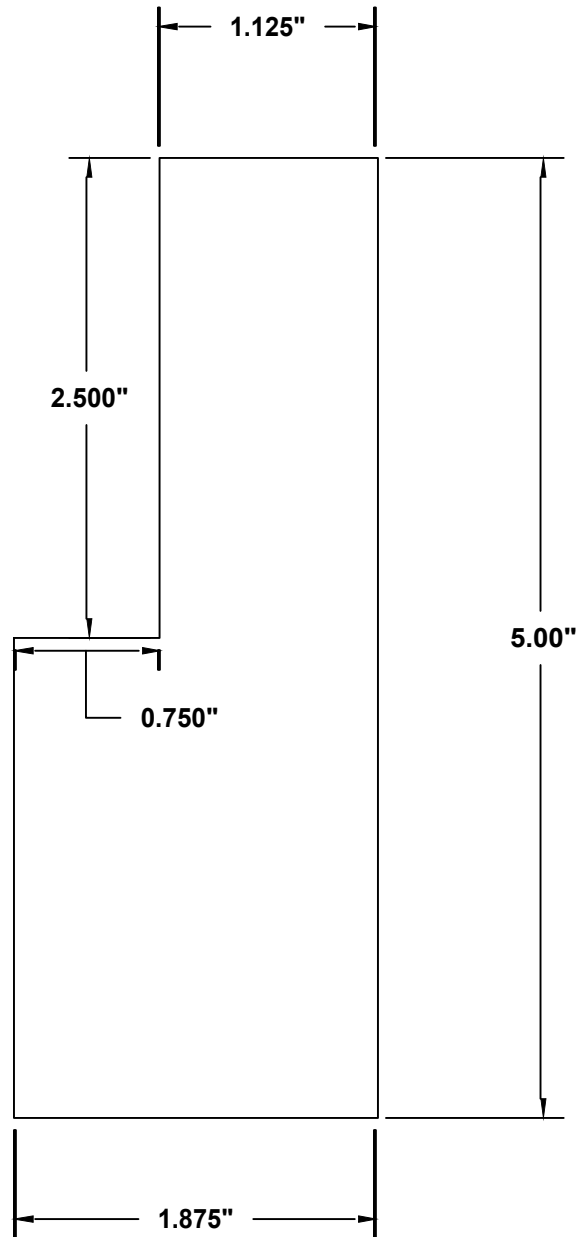


# STEGMEIER<sup>®</sup>

## LLC



### Step Ledger Form

**CORPORATE OFFICE** 1111 West Harris Road • Arlington, TX 76001 • (800) 382-5430  
[www.stegmeier.com](http://www.stegmeier.com)

Note all units in inches

**DOWNLOAD THE STEGMEIER LLC APP**  