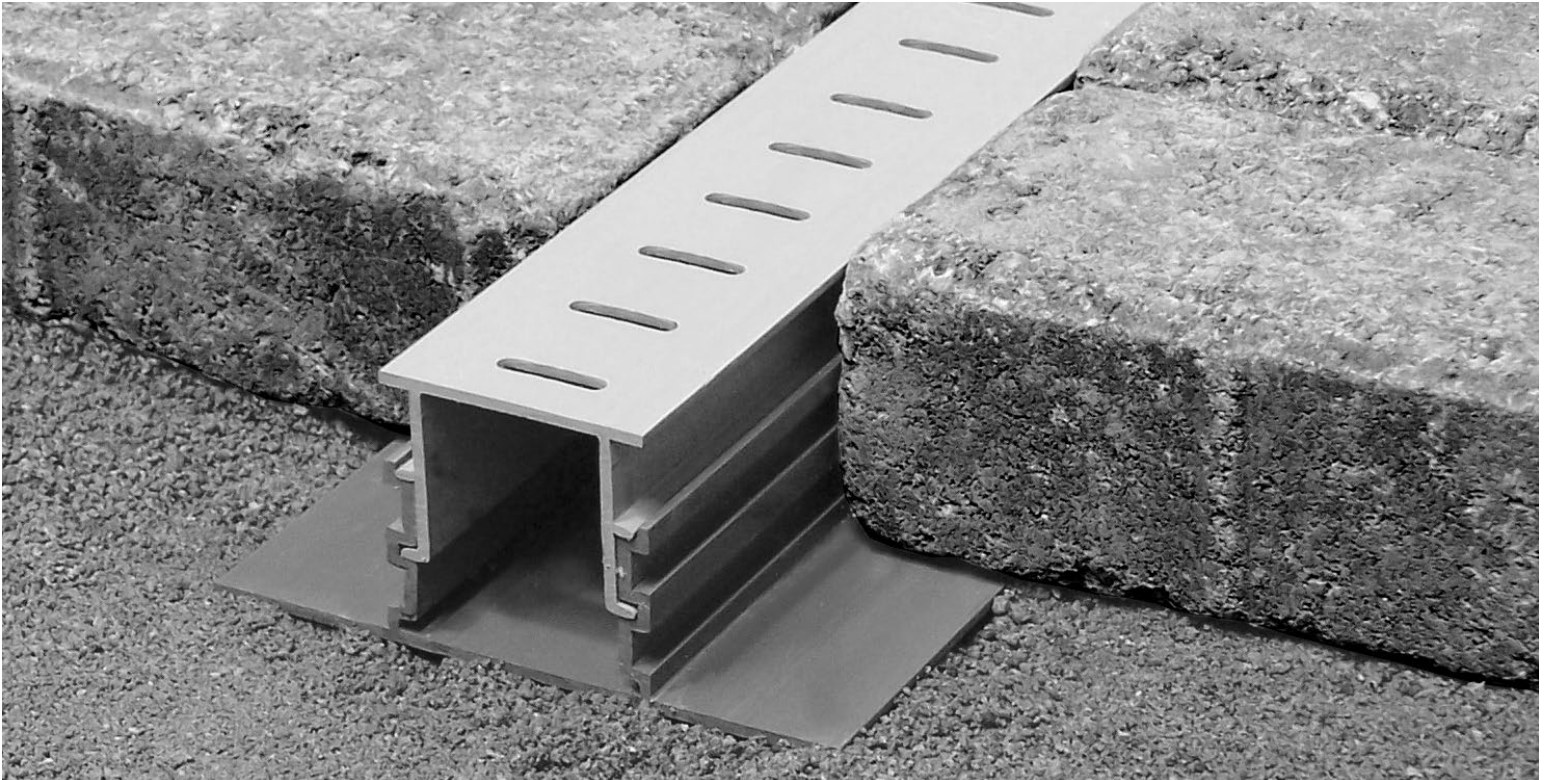


# ADJUSTABLE HEIGHT PAVER DRAIN

## Installation Instructions

STEGMEIER<sup>®</sup>  
LLC



**STEP 1.** Check the carton to ensure that no contents are missing. Carton includes 8 pieces of base, 8 pieces of top cap and 8 couplers.

**STEP 2.** Lay out all drain sections and fittings (sold separate) to ensure you have all materials for the installation.

**STEP 3.** Assemble the top cap and base sections together to the desired height.

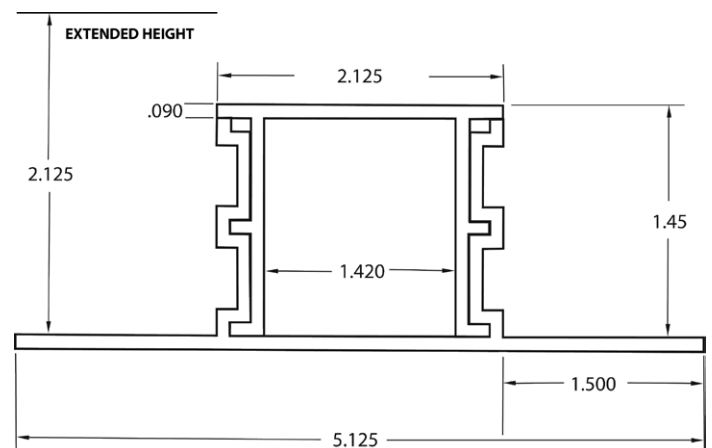
**STEP 4.** Place the couplers into position. The use of adhesives is recommended.

**STEP 5.** Set the drain to grade with a level, transit, string line or like tool.

**STEP 6.** In some cases, it may be helpful to set the drain in small amounts of concrete to hold the drain in place and at the correct elevation .

**STEP 7.** If the drain is to be poured in concrete, it is necessary to drill and pin from side to side with a Stegmeier Drain Dowel to prevent the drain from being crushed.

**STEP 8.** After the paver (or concrete) are completely set, remove the protective tape from the top of the drain.



As conditions and methods of use of our products are beyond our control, we offer these products in good faith but without guarantee either expressed or implied.

For technical support, call (800) 382-5430 • [www.stegmeier.com](http://www.stegmeier.com)

DOWNLOAD THE STEGMEIER LLC APP

